

Technical Data Sheet

RDX EXT V3 RF220 M24 114-T5.6 FLANGE



Load Capacity N/A *

Overall Length 212 mm

Weight 7.5 kg ($\pm 8\%$)

Materials

Tube (Main)

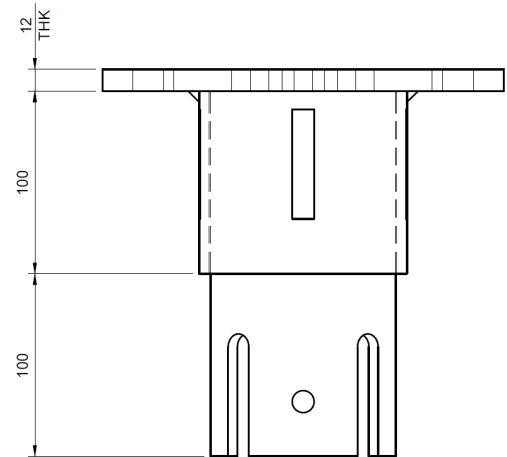
- 114 x 5.6 x 2000 mm
- Grade S235

Tube (Connector)

- 101.6 x 6.3 x 200 mm
- Grade S235
- 4 No. M12x25 Bolts

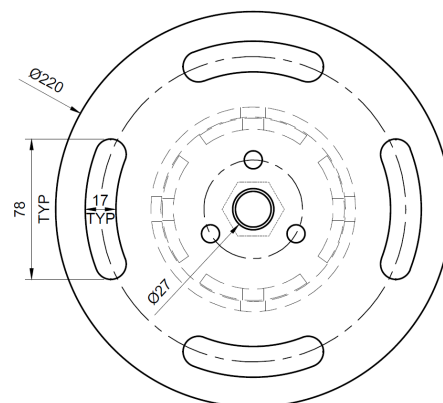
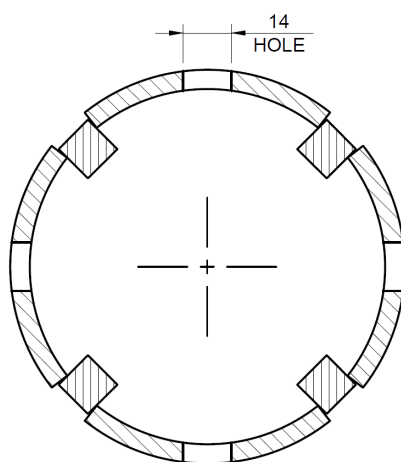
Flange

- 220 mm Diameter
- 12 mm Thick
- Grade S275



Anchor M24 Captive Nut

Surface Hot-dip galvanised Steel, according to DIN EN ISO 1461



Subject to technical change

* Load capacity is determined in soil type, semi-solid loam; RADIX Ground Screws must be selected based on static calculations and results of site specific ground test. The manufacturer is not liable for damage caused by insufficient or incorrect selection of ground screws