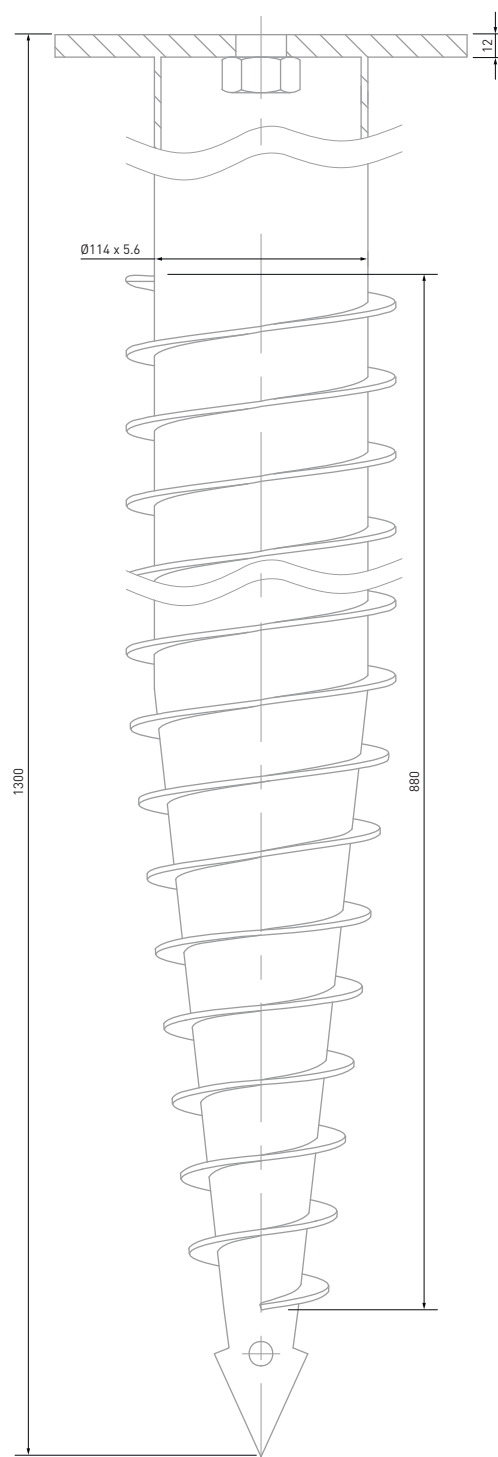
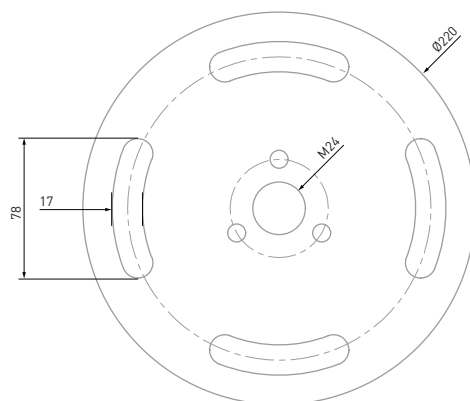


RDX PRO RF220 M24 114x1300-T5.6



Load Capacity	35 kN *
Overall Length	1300 mm
Weight	24.4 kg (±8%)
Materials	<p>Tube</p> <ul style="list-style-type: none"> • 114 x 5.6 x 1288 mm • Continuous Weld Helix • Grade S235 <p>Flange</p> <ul style="list-style-type: none"> • 220 mm Diameter • 12 mm Thick • Grade S275 <p>Helix</p> <ul style="list-style-type: none"> • 15 mm Depth • 40 mm ± 2 pitch
Anchor	M24 Captive Nut
Surface	Hot-dip Galvanised Steel, according to BS EN ISO 1461:2009



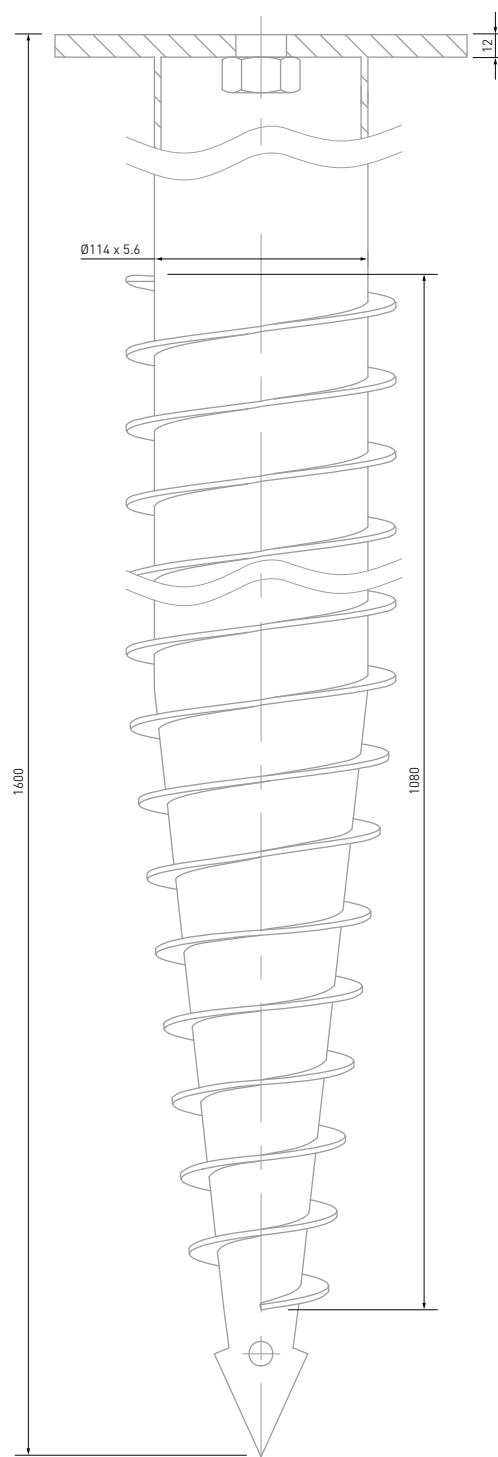
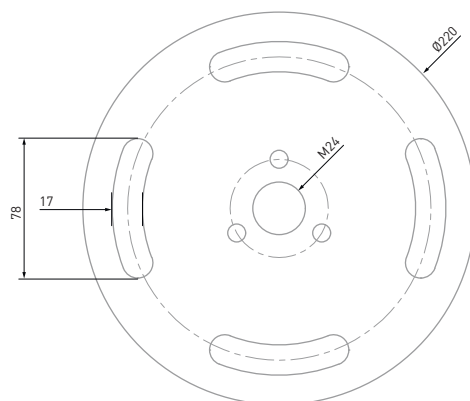
Subject to technical change.

* Load capacity is determined in soil type, semi-solid loam; RADIX Ground Screws must be selected based on static calculations and results of a site specific ground test. The manufacturer is not liable for damage caused by insufficient or incorrect selection of ground screws.

RDX PRO RF220 M24 114x1600-T5.6



Load Capacity	47.5 kN *
Overall Length	1600 mm
Weight	30.7 kg (±8%)
Materials	<p>Tube</p> <ul style="list-style-type: none"> • 114 x 5.6 x 1588 mm • Continuous Weld Helix • Grade S235 <p>Flange</p> <ul style="list-style-type: none"> • 220 mm Diameter • 12 mm Thick • Grade S275 <p>Helix</p> <ul style="list-style-type: none"> • 15 mm Depth • 40 mm ± 2 pitch
Anchor	M24 Captive Nut
Surface	Hot-dip Galvanised Steel, according to BS EN ISO 1461:2009



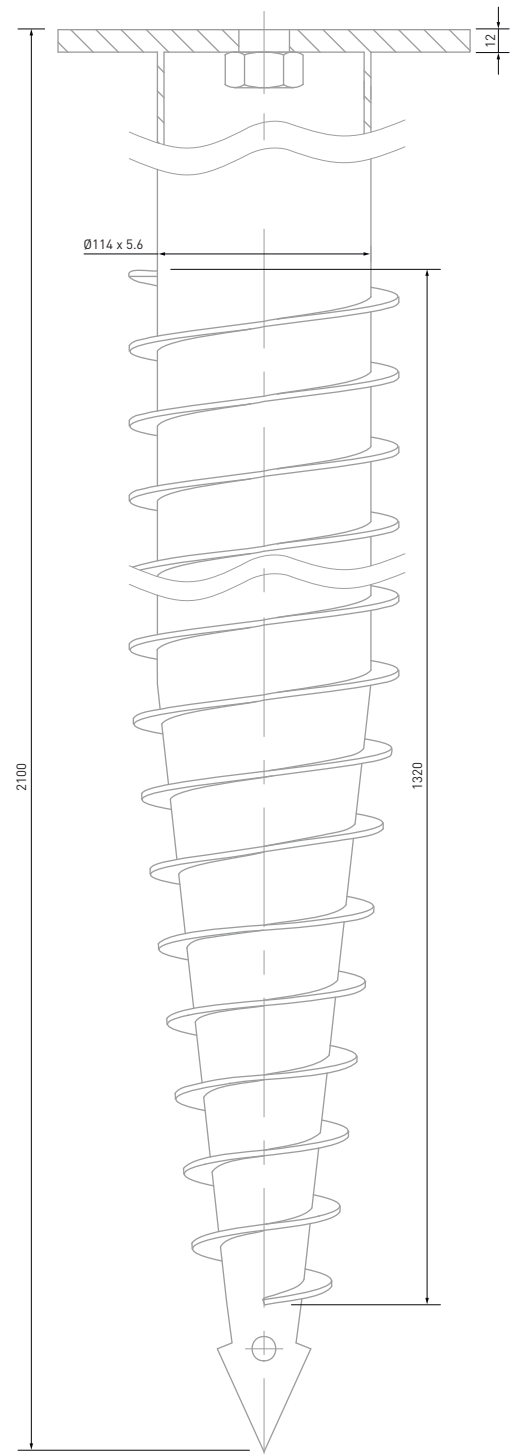
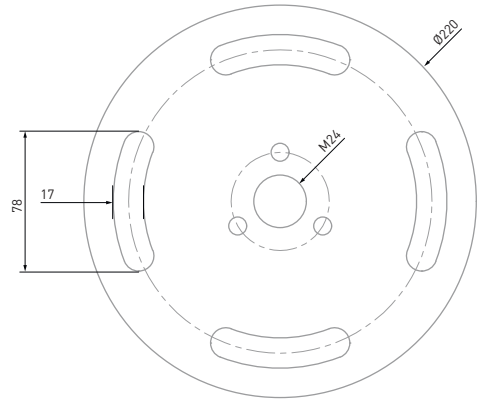
Subject to technical change.

* Load capacity is determined in soil type, semi-solid loam; RADIX Ground Screws must be selected based on static calculations and results of a site specific ground test. The manufacturer is not liable for damage caused by insufficient or incorrect selection of ground screws.

RDX PRO RF220 M24 114x2100-T5.6



Load Capacity	66 kN *
Overall Length	2100 mm
Weight	39.7 kg (±8%)
Materials	<p>Tube</p> <ul style="list-style-type: none"> • 114 x 5.6 x 2088 mm • Continuous Weld Helix • Grade S235 <p>Flange</p> <ul style="list-style-type: none"> • 220 mm Diameter • 12 mm Thick • Grade S275 <p>Helix</p> <ul style="list-style-type: none"> • 15 mm Depth • 40 mm ± 2 pitch
Anchor	M24 Captive Nut
Surface	Hot-dip Galvanised Steel, according to BS EN ISO 1461:2009



Subject to technical change.

* Load capacity is determined in soil type, semi-solid loam; RADIX Ground Screws must be selected based on static calculations and results of a site specific ground test. The manufacturer is not liable for damage caused by insufficient or incorrect selection of ground screws.