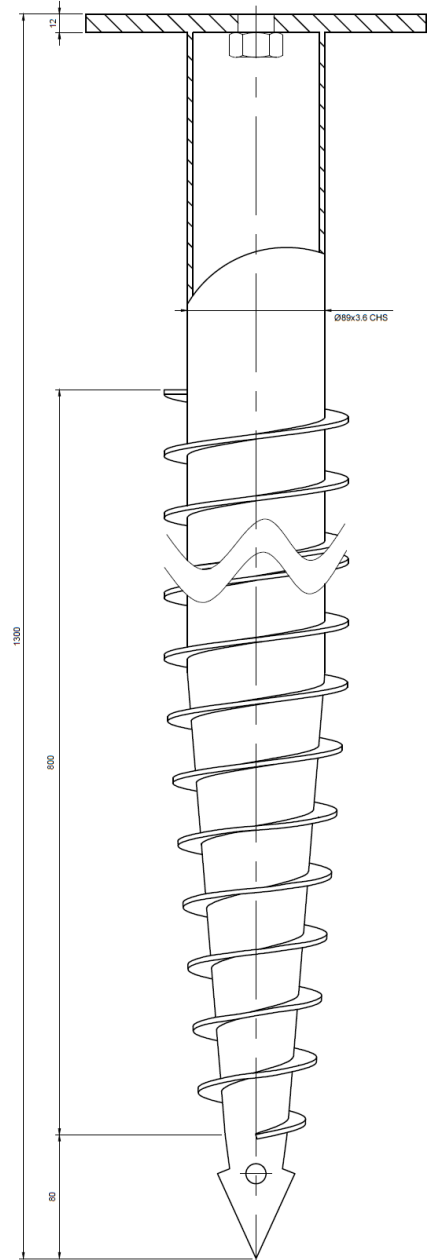
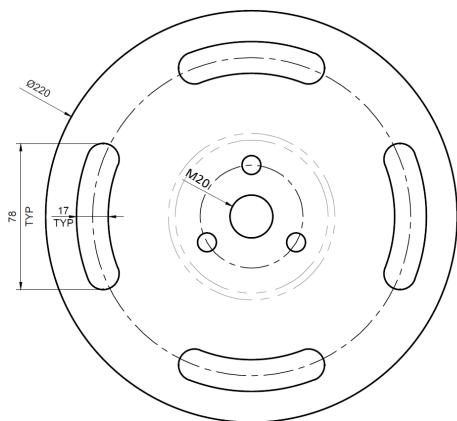


Technical Data Sheet

RDX PRO RF220 M20 89x1300-T3.6



Load Capacity	30 kN *
Overall Length	1300 mm
Weight	15.2 kg ($\pm 8\%$)
Materials	<p>Tube</p> <ul style="list-style-type: none">• 89 x 3.6 x 1288 mm• Continuous Weld Helix• Grade S235 <p>Flange</p> <ul style="list-style-type: none">• 220 mm Diameter• 12 mm Thick• Grade S275 <p>Helix</p> <ul style="list-style-type: none">• 15 mm Depth• 40 mm \pm 2 pitch
Anchor	M20 Captive Nut
Surface	Hot-dip galvanised Steel, according to DIN EN ISO 1461



Subject to technical change

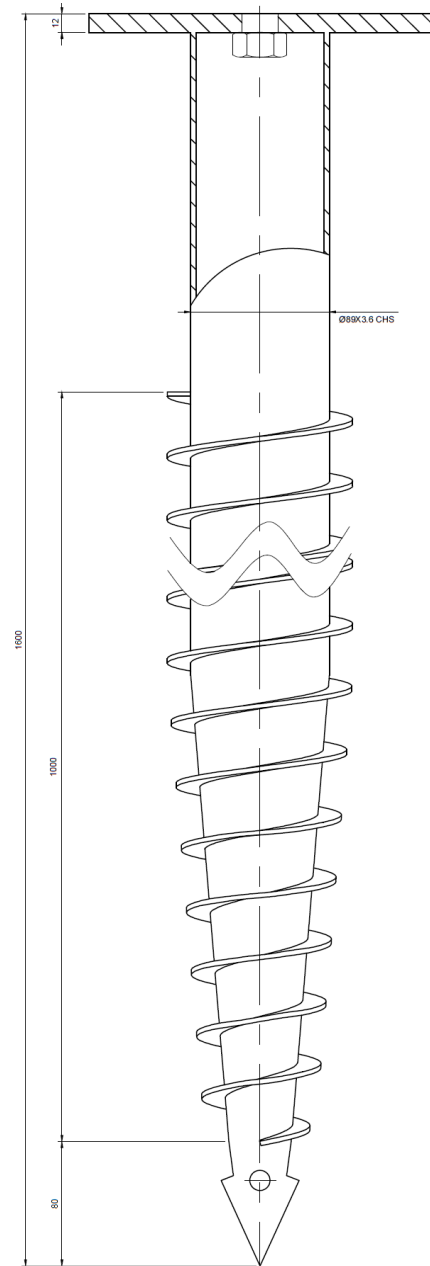
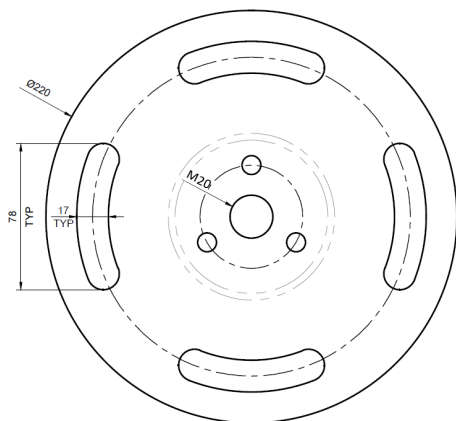
* Load capacity is determined in soil type, semi-solid loam; RADIX Ground Screws must be selected based on static calculations and results of site specific ground test. The manufacturer is not liable for damage caused by insufficient or incorrect selection of ground screws

Technical Data Sheet

RDX PRO RF220 M20 89x1600-T3.6



Load Capacity	41 kN *
Overall Length	1600 mm
Weight	18.1 kg ($\pm 8\%$)
Materials	<p>Tube</p> <ul style="list-style-type: none">• 89 x 3.6 x 1588 mm• Continuous Weld Helix• Grade S235 <p>Flange</p> <ul style="list-style-type: none">• 220 mm Diameter• 12 mm Thick• Grade S275 <p>Helix</p> <ul style="list-style-type: none">• 15 mm Depth• 40 mm \pm 2 pitch
Anchor	M20 Captive Nut
Surface	Hot-dip galvanised Steel, according to DIN EN ISO 1461



Subject to technical change

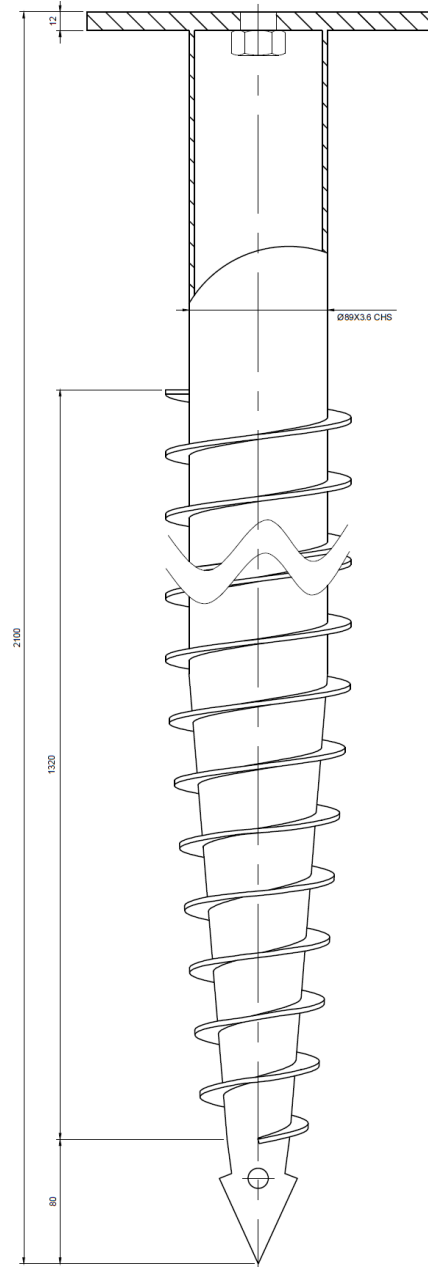
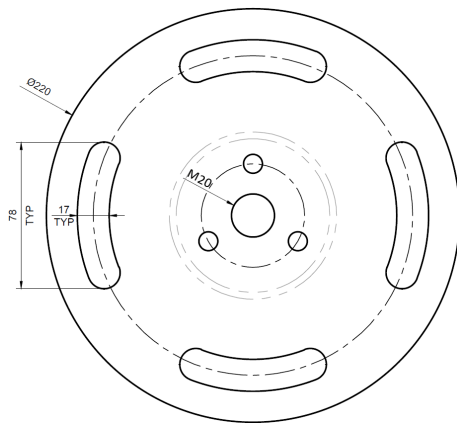
* Load capacity is determined in soil type, semi-solid loam; RADIX Ground Screws must be selected based on static calculations and results of site specific ground test. The manufacturer is not liable for damage caused by insufficient or incorrect selection of ground screws

Technical Data Sheet

RDX PRO RF220 M20 89x1600-T3.6



Load Capacity	55 kN *
Overall Length	2100 mm
Weight	23.0 kg ($\pm 8\%$)
Materials	<p>Tube</p> <ul style="list-style-type: none"> • 89 x 3.6 x 2088 mm • Continuous Weld Helix • Grade S235 <p>Flange</p> <ul style="list-style-type: none"> • 220 mm Diameter • 12 mm Thick • Grade S275 <p>Helix</p> <ul style="list-style-type: none"> • 15 mm Depth • 40 mm \pm 2 pitch
Surface	Hot-dip galvanised Steel, according to DIN EN ISO 1461



Subject to technical change

* Load capacity is determined in soil type, semi-solid loam; RADIX Ground Screws must be selected based on static calculations and results of site specific ground test. The manufacturer is not liable for damage caused by insufficient or incorrect selection of ground screws