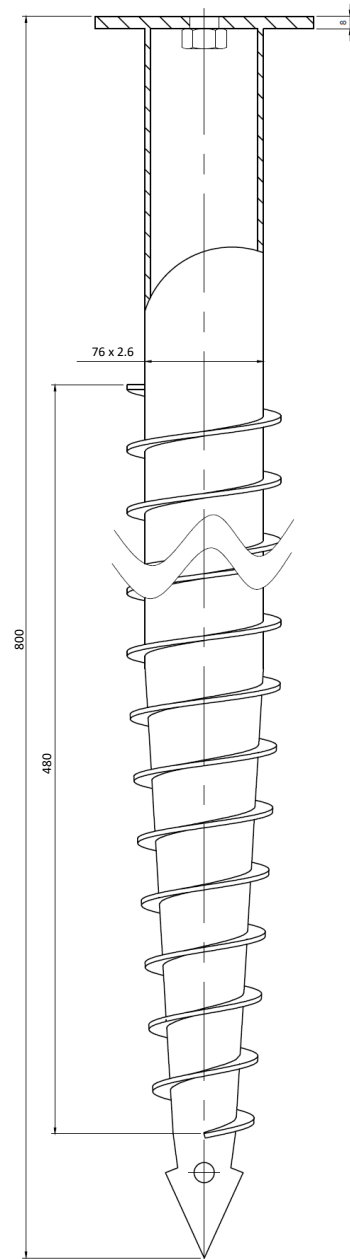
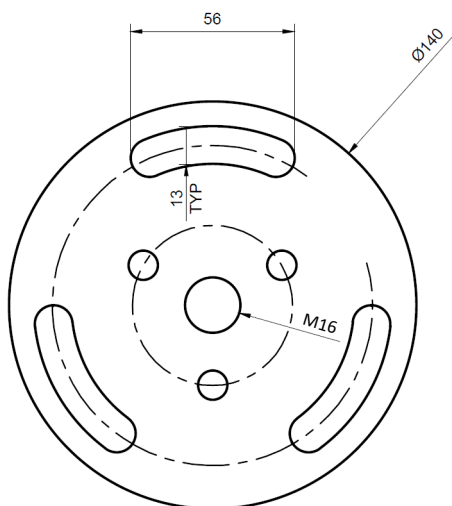


# Technical Data Sheet

## RDX PRO RF140 M16 76x800-T2.6



<b>Load Capacity</b>	13.5 kN *
<b>Overall Length</b>	800 mm
<b>Weight</b>	5.0 kg ( $\pm 8\%$ )
<b>Materials</b>	<p>Tube</p> <ul style="list-style-type: none"><li>• 76 x 2.6 x 792 mm</li><li>• Continuous Weld Helix</li><li>• Grade S235</li></ul> <p>Flange</p> <ul style="list-style-type: none"><li>• 140 mm Diameter</li><li>• 8mm Thick</li><li>• Grade S275</li></ul> <p>Helix</p> <ul style="list-style-type: none"><li>• 12 mm Depth</li><li>• 40 mm <math>\pm</math> 2 pitch</li></ul>
<b>Anchor</b>	M16 Captive Nut
<b>Surface</b>	Hot-dip galvanised Steel, according to DIN EN ISO 1461



Subject to technical change

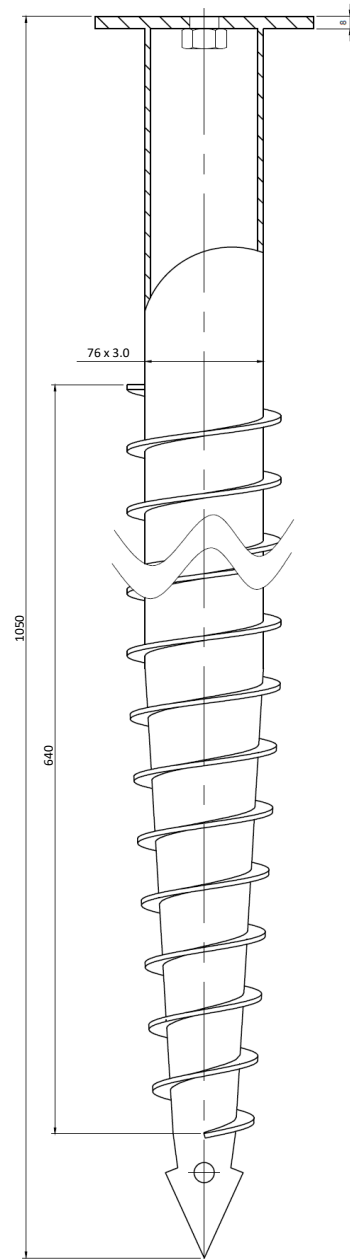
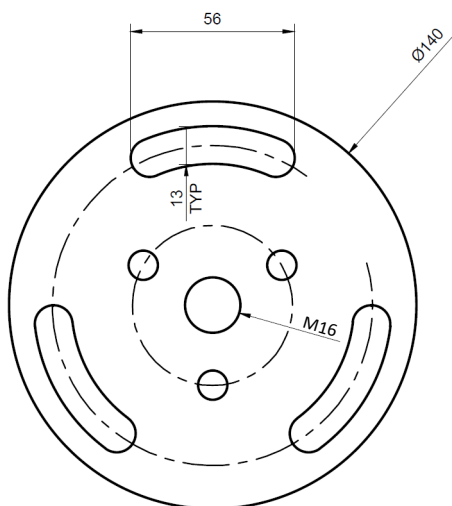
\* Load capacity is determined in soil type, semi-solid loam; RADIX Ground Screws must be selected based on static calculations and results of site specific ground test. The manufacturer is not liable for damage caused by insufficient or incorrect selection of ground screws

# Technical Data Sheet

## RDX PRO RF140 M16 76x1050-T3.0



<b>Load Capacity</b>	16.5 kN *
<b>Overall Length</b>	1050 mm
<b>Weight</b>	8.3 kg ( $\pm 8\%$ )
<b>Materials</b>	<p>Tube</p> <ul style="list-style-type: none"><li>• 76 x 3.0 x 1042 mm</li><li>• Continuous Weld Helix</li><li>• Grade S235</li></ul> <p>Flange</p> <ul style="list-style-type: none"><li>• 140 mm Diameter</li><li>• 8mm Thick</li><li>• Grade S275</li></ul> <p>Helix</p> <ul style="list-style-type: none"><li>• 12 mm Depth</li><li>• 40 mm <math>\pm</math> 2 pitch</li></ul>
<b>Anchor</b>	M16 Captive Nut
<b>Surface</b>	Hot-dip galvanised Steel, according to DIN EN ISO 1461



Subject to technical change

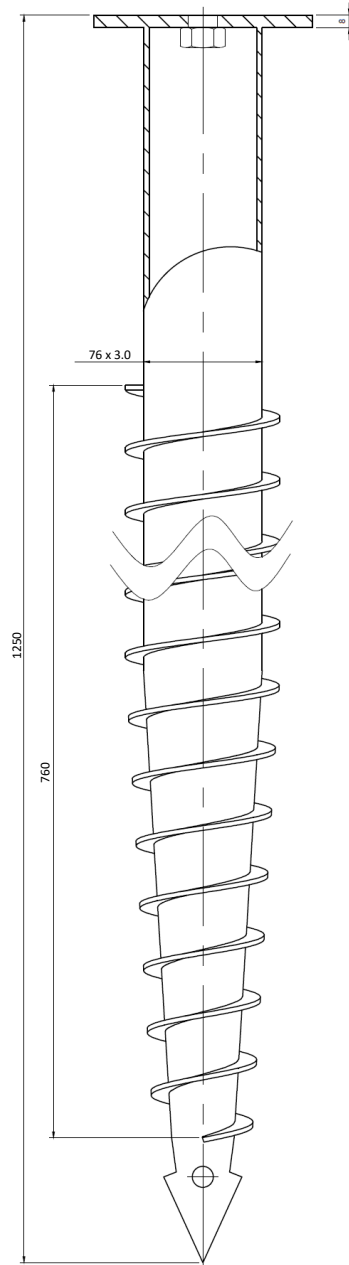
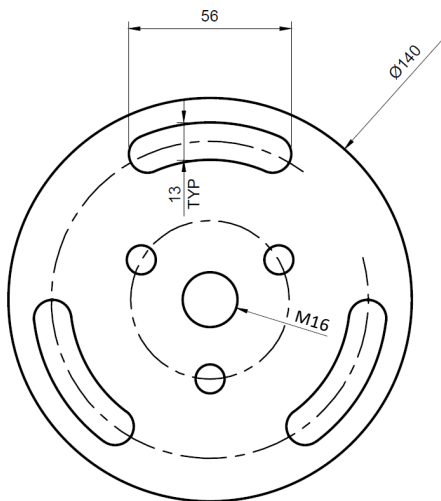
\* Load capacity is determined in soil type, semi-solid loam; RADIX Ground Screws must be selected based on static calculations and results of site specific ground test. The manufacturer is not liable for damage caused by insufficient or incorrect selection of ground screws

# Technical Data Sheet

## RDX PRO RF140 M16 76x1250-T3.0



<b>Load Capacity</b>	25 kN *
<b>Overall Length</b>	1250 mm
<b>Weight</b>	10.0 kg ( $\pm 8\%$ )
<b>Materials</b>	<p>Tube</p> <ul style="list-style-type: none"><li>• 76 x 3.0 x 1242 mm</li><li>• Continuous Weld Helix</li><li>• Grade S235</li></ul> <p>Flange</p> <ul style="list-style-type: none"><li>• 140 mm Diameter</li><li>• 8mm Thick</li><li>• Grade S275</li></ul> <p>Helix</p> <ul style="list-style-type: none"><li>• 12 mm Depth</li><li>• 40 mm <math>\pm</math> 2 pitch</li></ul>
<b>Surface</b>	Hot-dip galvanised Steel, according to DIN EN ISO 1461



Subject to technical change

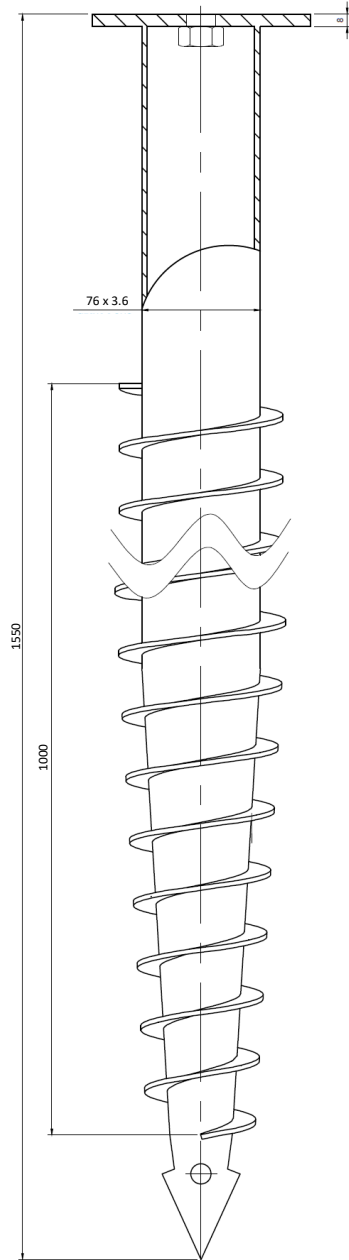
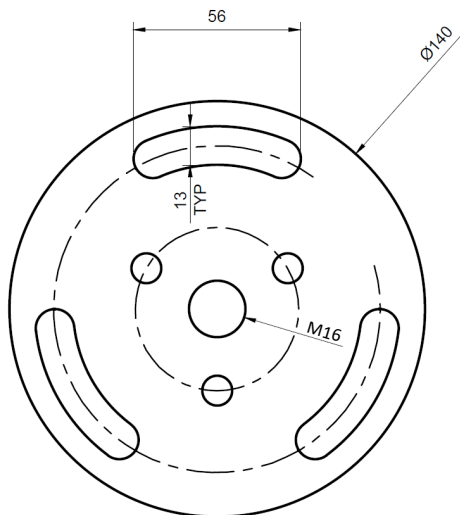
\* Load capacity is determined in soil type, semi-solid loam; RADIX Ground Screws must be selected based on static calculations and results of site specific ground test. The manufacturer is not liable for damage caused by insufficient or incorrect selection of ground screws

# Technical Data Sheet

## RDX PRO RF140 M16 76x1550-T3.6



<b>Load Capacity</b>	35 kN *
<b>Overall Length</b>	1550 mm
<b>Weight</b>	12.8 kg ( $\pm 8\%$ )
<b>Materials</b>	<p>Tube</p> <ul style="list-style-type: none"><li>• 76 x 3.6 x 1542 mm</li><li>• Continuous Weld Helix</li><li>• Grade S235</li></ul> <p>Flange</p> <ul style="list-style-type: none"><li>• 140 mm Diameter</li><li>• 8mm Thick</li><li>• Grade S275</li></ul> <p>Helix</p> <ul style="list-style-type: none"><li>• 15 mm Depth</li><li>• 40 mm <math>\pm</math> 2 pitch</li></ul>
<b>Surface</b>	Hot-dip galvanised Steel, according to DIN EN ISO 1461



Subject to technical change

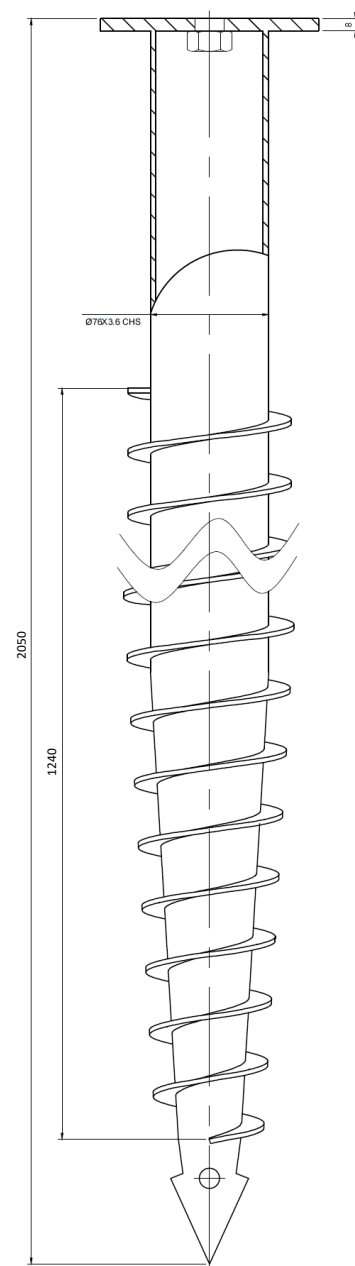
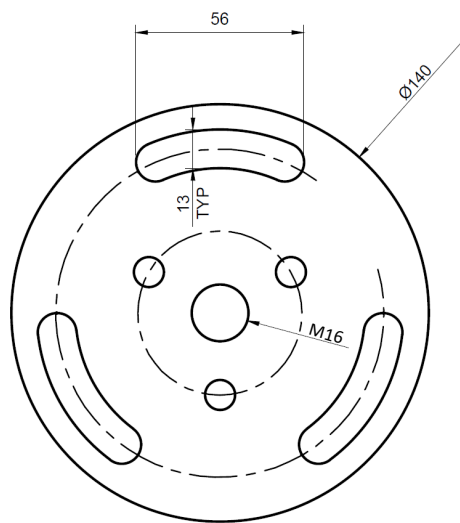
\* Load capacity is determined in soil type, semi-solid loam; RADIX Ground Screws must be selected based on static calculations and results of site specific ground test. The manufacturer is not liable for damage caused by insufficient or incorrect selection of ground screws

# Technical Data Sheet

## RDX PRO RF140 M16 76x2050-T3.6



<b>Load Capacity</b>	45 kN *
<b>Overall Length</b>	2050 mm
<b>Weight</b>	16.7 kg ( $\pm 8\%$ )
<b>Materials</b>	<p>Tube</p> <ul style="list-style-type: none"> <li>• 76 x 3.6 x 2042 mm</li> <li>• Continuous Weld Helix</li> <li>• Grade S235</li> </ul> <p>Flange</p> <ul style="list-style-type: none"> <li>• 140 mm Diameter</li> <li>• 8 mm Thick</li> <li>• Grade S275</li> </ul> <p>Helix</p> <ul style="list-style-type: none"> <li>• 15 mm Depth</li> <li>• 40 mm <math>\pm</math> 2 pitch</li> </ul>
<b>Anchor</b>	M16 Captive Nut
<b>Surface</b>	Hot-dip galvanised Steel, according to DIN EN ISO 1461



Subject to technical change

\* Load capacity is determined in soil type, semi-solid loam; RADIX Ground Screws must be selected based on static calculations and results of site specific ground test. The manufacturer is not liable for damage caused by insufficient or incorrect selection of ground screws