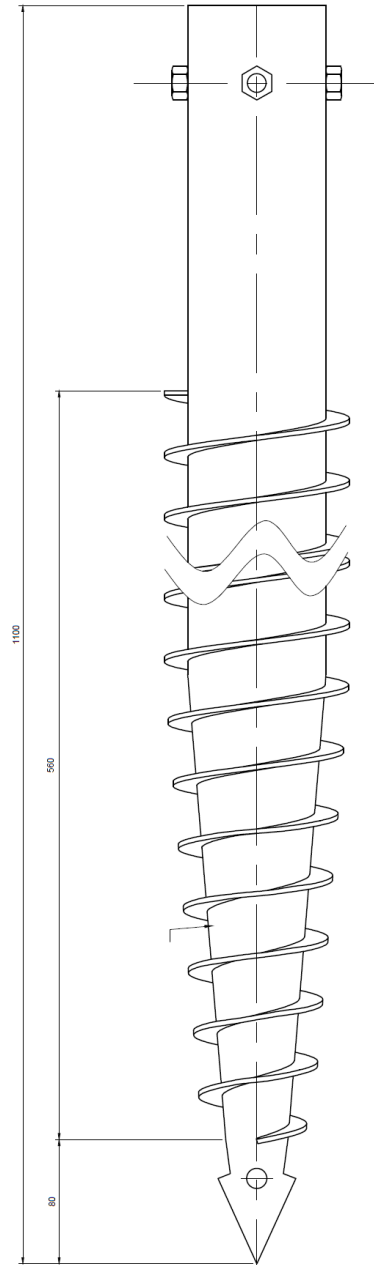
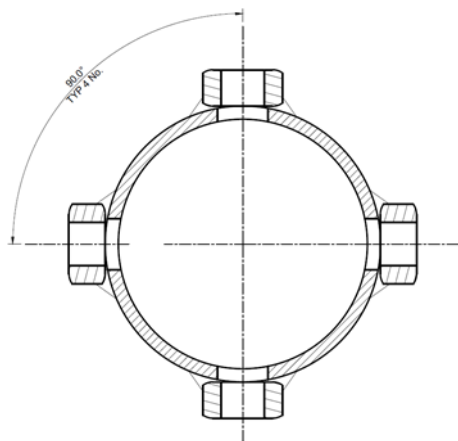


# Technical Data Sheet

## RDX PRO N4 M12 89x1100-T3.6



<b>Load Capacity</b>	21 kN *
<b>Overall Length</b>	1100 mm
<b>Weight</b>	9.5 kg ( $\pm 8\%$ )
<b>Materials</b>	<p>Tube</p> <ul style="list-style-type: none"><li>• 89 x 3.6 x 1100 mm</li><li>• Continuous Weld Helix</li><li>• Grade S235</li></ul> <p>Fixings</p> <ul style="list-style-type: none"><li>• 4 No. M12 Nuts</li><li>• Grade S275</li></ul> <p>Helix</p> <ul style="list-style-type: none"><li>• 15 mm Depth</li><li>• 40 mm <math>\pm</math> 2 pitch</li></ul>
<b>Anchor</b>	M12 Captive Nuts (4 No.)
<b>Surface</b>	Hot-dip galvanised Steel, according to DIN EN ISO 1461



Subject to technical change

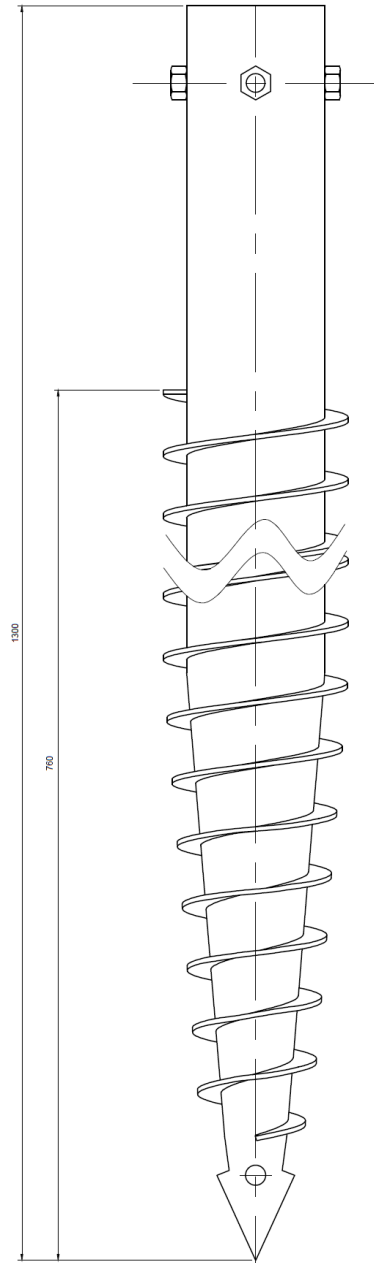
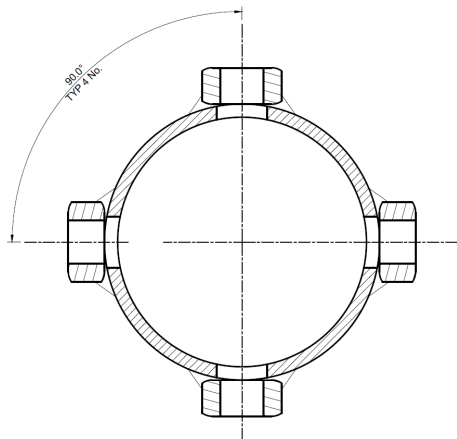
\* Load capacity is determined in soil type, semi-solid loam; RADIX Ground Screws must be selected based on static calculations and results of site specific ground test. The manufacturer is not liable for damage caused by insufficient or incorrect selection of ground screws

# Technical Data Sheet

## RDX PRO N4 M12 89x1300-T3.6



<b>Load Capacity</b>	30 kN *
<b>Overall Length</b>	1300 mm
<b>Weight</b>	11.3 kg ( $\pm 8\%$ )
<b>Materials</b>	<p>Tube</p> <ul style="list-style-type: none"><li>• 89 x 3.6 x 1300 mm</li><li>• Continuous Weld Helix</li><li>• Grade S235</li></ul> <p>Fixings</p> <ul style="list-style-type: none"><li>• 4 No. M12 Nuts</li><li>• Grade S275</li></ul> <p>Helix</p> <ul style="list-style-type: none"><li>• 15 mm Depth</li><li>• 40 mm <math>\pm</math> 2 pitch</li></ul>
<b>Anchor</b>	M12 Captive Nuts (4 No.)
<b>Surface</b>	Hot-dip galvanised Steel, according to DIN EN ISO 1461



Subject to technical change

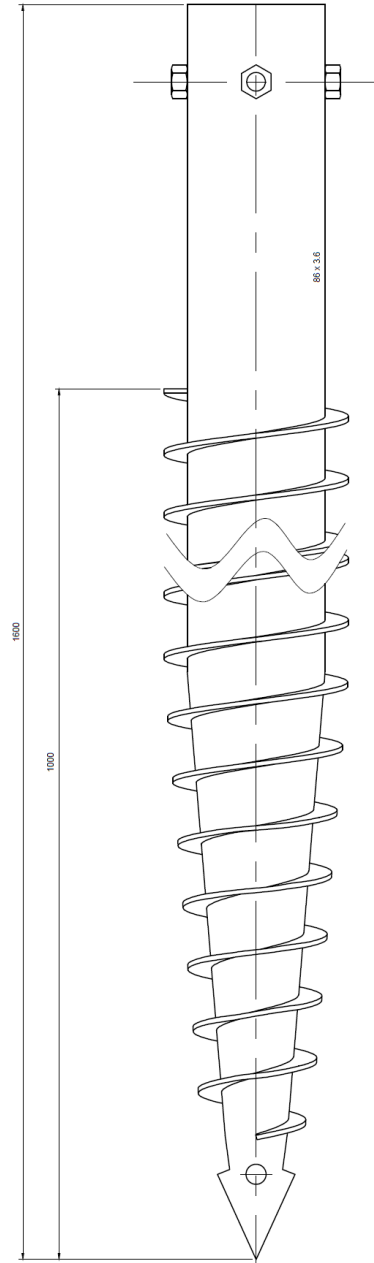
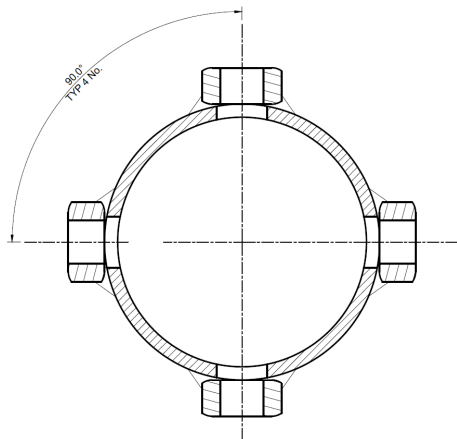
\* Load capacity is determined in soil type, semi-solid loam; RADIX Ground Screws must be selected based on static calculations and results of site specific ground test. The manufacturer is not liable for damage caused by insufficient or incorrect selection of ground screws

# Technical Data Sheet

## RDX PRO N4 M12 89x1600-T3.6



<b>Load Capacity</b>	41 kN *
<b>Overall Length</b>	1600 mm
<b>Weight</b>	14.5 kg ( $\pm 8\%$ )
<b>Materials</b>	<p>Tube</p> <ul style="list-style-type: none"><li>• 89 x 3.6 x 1600 mm</li><li>• Continuous Weld Helix</li><li>• Grade S235</li></ul> <p>Fixings</p> <ul style="list-style-type: none"><li>• 4 No. M12 Nuts</li><li>• Grade S275</li></ul> <p>Helix</p> <ul style="list-style-type: none"><li>• 15 mm Depth</li><li>• 40 mm <math>\pm</math> 2 pitch</li></ul>
<b>Anchor</b>	M12 Captive Nuts (4 No.)
<b>Surface</b>	Hot-dip galvanised Steel, according to DIN EN ISO 1461



Subject to technical change

\* Load capacity is determined in soil type, semi-solid loam; RADIX Ground Screws must be selected based on static calculations and results of site specific ground test. The manufacturer is not liable for damage caused by insufficient or incorrect selection of ground screws