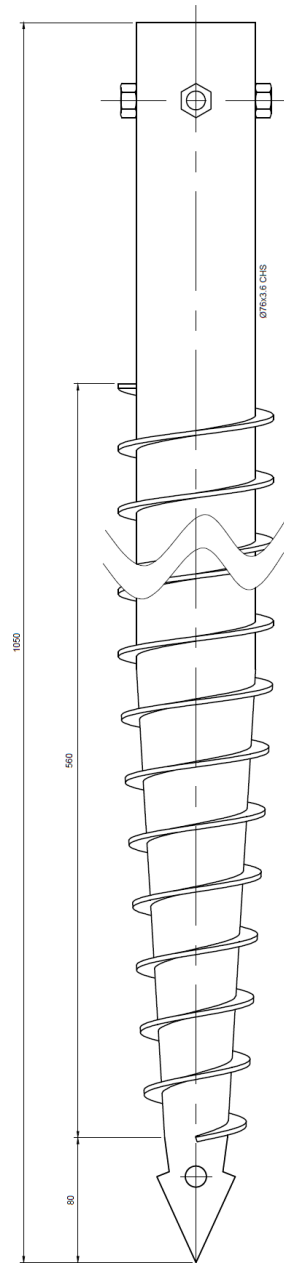
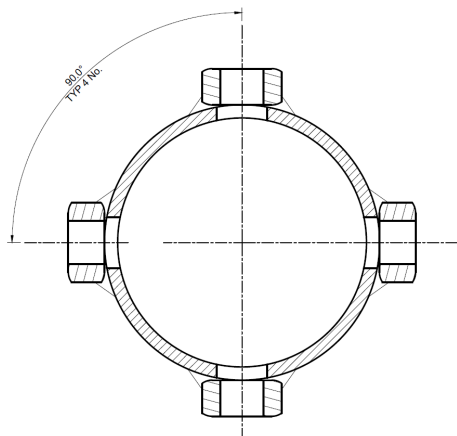


Technical Data Sheet

RDX PRO N4 M12 76x1050-T3.6



Load Capacity	16.5 kN *
Overall Length	1050 mm
Weight	7.6 kg ($\pm 8\%$)
Materials	<p>Tube</p> <ul style="list-style-type: none">• 76 x 3.6 x 1050 mm• Continuous Weld Helix• Grade S235 <p>Fixings</p> <ul style="list-style-type: none">• 4 No. M12 Nuts• Grade S275 <p>Helix</p> <ul style="list-style-type: none">• 12 mm Depth• 40 mm \pm 2 pitch
Anchor	M12 Captive Nuts (4 No.)
Surface	Hot-dip galvanised Steel, according to DIN EN ISO 1461



Subject to technical change

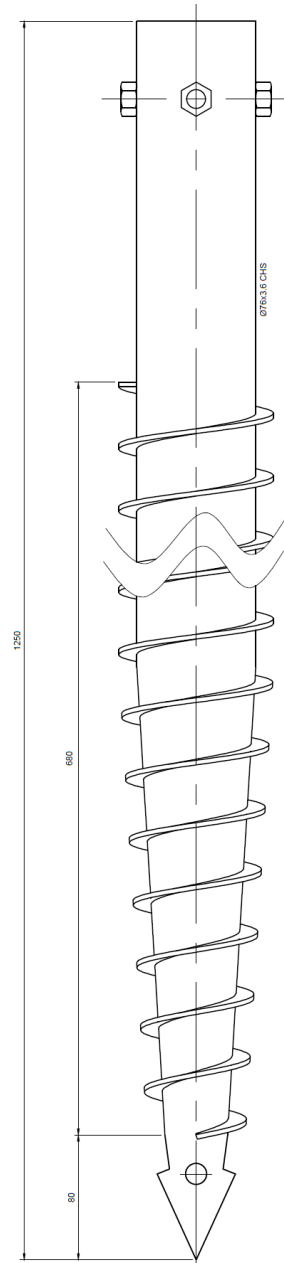
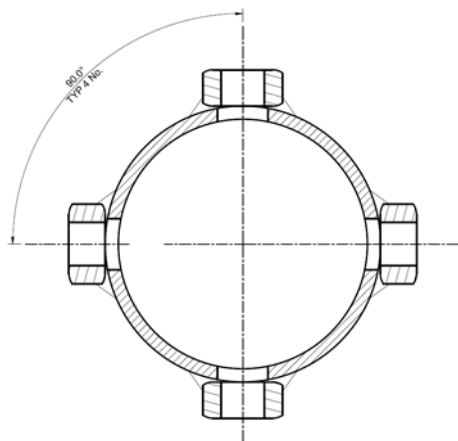
* Load capacity is determined in soil type, semi-solid loam; RADIX Ground Screws must be selected based on static calculations and results of site specific ground test. The manufacturer is not liable for damage caused by insufficient or incorrect selection of ground screws

Technical Data Sheet

RDX PRO N4 M12 76x1250-T3.6



Load Capacity	25 kN *
Overall Length	1250 mm
Weight	9.0 kg ($\pm 8\%$)
Materials	<p>Tube</p> <ul style="list-style-type: none">• 76 x 3.6 x 1250 mm• Continuous Weld Helix• Grade S235 <p>Fixings</p> <ul style="list-style-type: none">• 4 No. M12 Nuts• Grade S275 <p>Helix</p> <ul style="list-style-type: none">• 12 mm Depth• 40 mm \pm 2 pitch
Anchor	M12 Captive Nuts (4 No.)
Surface	Hot-dip galvanised Steel, according to DIN EN ISO 1461



Subject to technical change

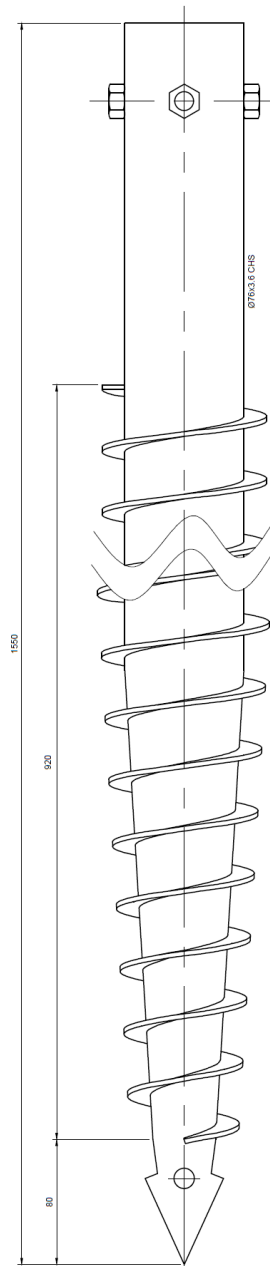
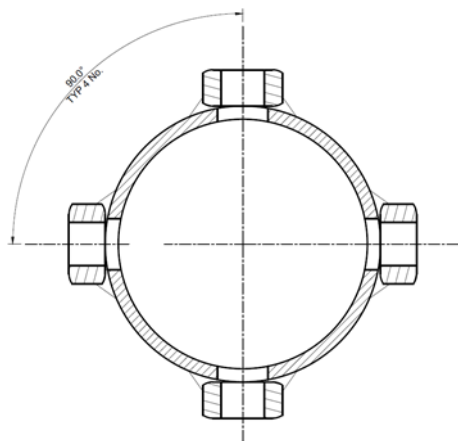
* Load capacity is determined in soil type, semi-solid loam; RADIX Ground Screws must be selected based on static calculations and results of site specific ground test. The manufacturer is not liable for damage caused by insufficient or incorrect selection of ground screws

Technical Data Sheet

RDX PRO N4 M12 76x1550-T3.6



Load Capacity	35 kN *
Overall Length	1550 mm
Weight	12.0 kg ($\pm 8\%$)
Materials	<p>Tube</p> <ul style="list-style-type: none">• 76 x 3.6 x 1550 mm• Continuous Weld Helix• Grade S235 <p>Fixings</p> <ul style="list-style-type: none">• 4 No. M12 Nuts• Grade S275 <p>Helix</p> <ul style="list-style-type: none">• 15 mm Depth• 40 mm \pm 2 pitch
Anchor	M12 Captive Nuts (4 No.)
Surface	Hot-dip galvanised Steel, according to DIN EN ISO 1461



Subject to technical change

* Load capacity is determined in soil type, semi-solid loam; RADIX Ground Screws must be selected based on static calculations and results of site specific ground test. The manufacturer is not liable for damage caused by insufficient or incorrect selection of ground screws