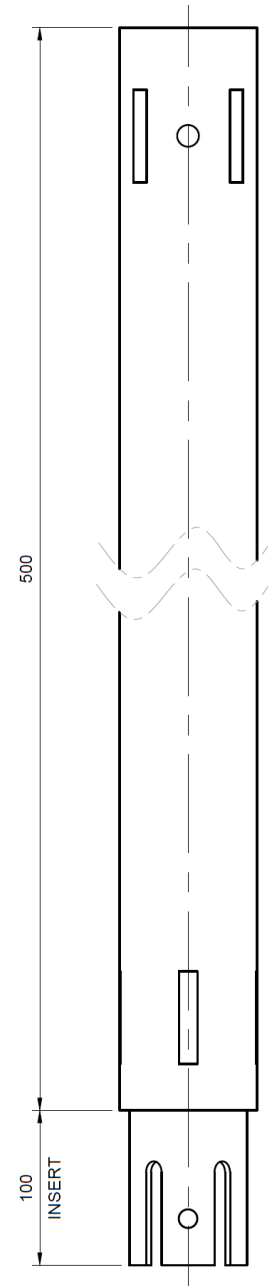
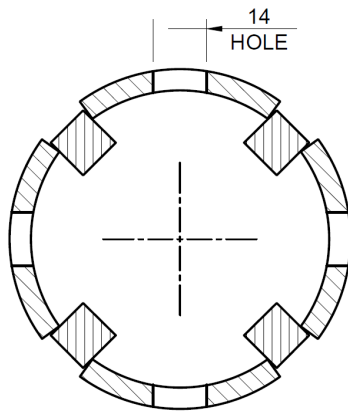


Technical Data Sheet

RDX EXT V3 89x500-T5.6 EXTENSION



Load Capacity	N/A *
Overall Length	500 mm
Weight	6.0 kg ($\pm 8\%$)
Materials	Tube (Main) <ul style="list-style-type: none">• 89 x 5.6 x 500 mm• Grade S235 Tube (Connector) <ul style="list-style-type: none">• 76 x 6.0 x 200 mm• Grade S235• 4 No. M12x25 Bolts
Surface	Hot-dip galvanised Steel, according to DIN EN ISO 1461



Subject to technical change

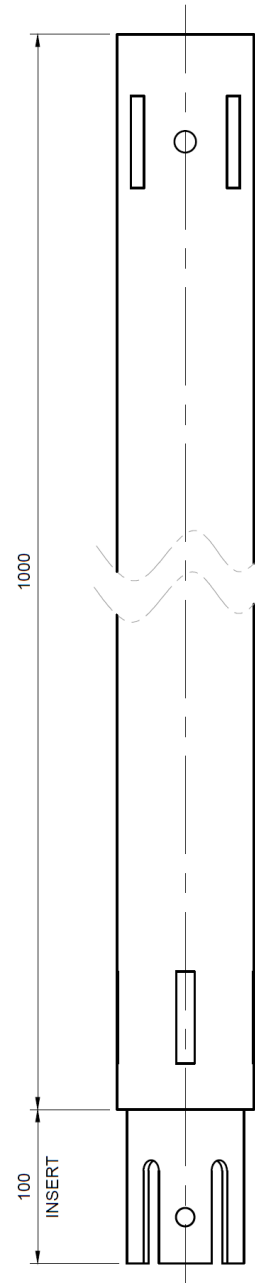
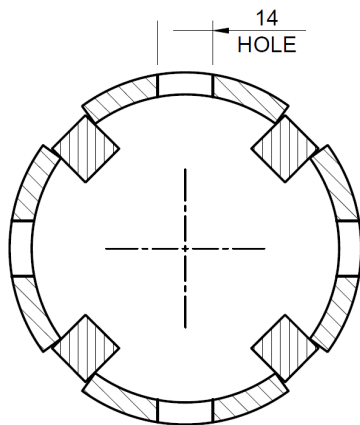
* Load capacity is determined in soil type, semi-solid loam; RADIX Ground Screws must be selected based on static calculations and results of site specific ground test. The manufacturer is not liable for damage caused by insufficient or incorrect selection of ground screws

Technical Data Sheet

RDX EXT V3 89x1000-T5.6 EXTENSION



Load Capacity	N/A *
Overall Length	1000 mm
Weight	12.0 kg ($\pm 8\%$)
Materials	<p>Tube (Main)</p> <ul style="list-style-type: none">• 89 x 5.6 x 1000 mm• Grade S235 <p>Tube (Connector)</p> <ul style="list-style-type: none">• 76 x 6.0 x 200 mm• Grade S235• 4 No. M12x25 Bolts
Surface	Hot-dip galvanised Steel, according to DIN EN ISO 1461



Subject to technical change

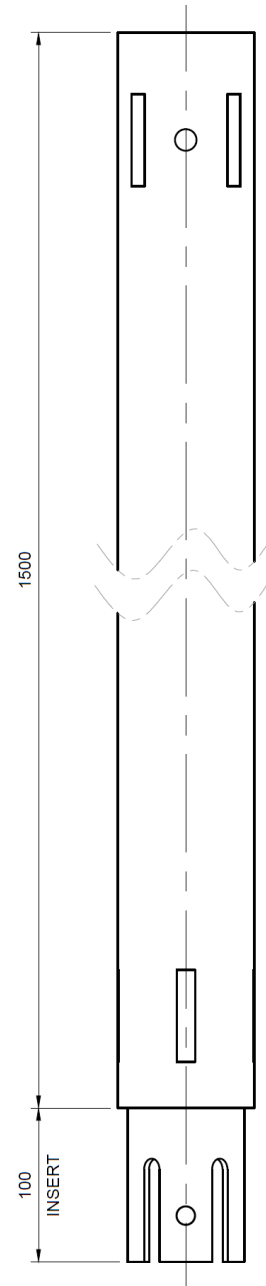
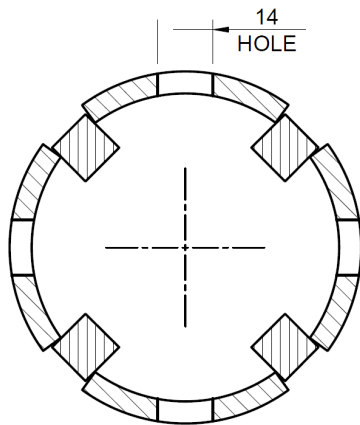
* Load capacity is determined in soil type, semi-solid loam; RADIX Ground Screws must be selected based on static calculations and results of site specific ground test. The manufacturer is not liable for damage caused by insufficient or incorrect selection of ground screws

Technical Data Sheet

RDX EXT V3 89x1500-T5.6 EXTENSION



Load Capacity	N/A *
Overall Length	1500 mm
Weight	18.0 kg ($\pm 8\%$)
Materials	<p>Tube (Main)</p> <ul style="list-style-type: none">• 89 x 5.6 x 1500 mm• Grade S235 <p>Tube (Connector)</p> <ul style="list-style-type: none">• 76 x 6.0 x 200 mm• Grade S235• 4 No. M12x25 Bolts
Surface	Hot-dip galvanised Steel, according to DIN EN ISO 1461



Subject to technical change

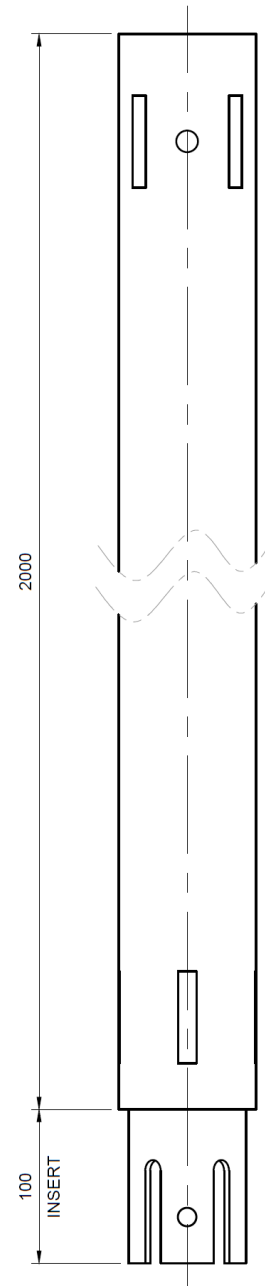
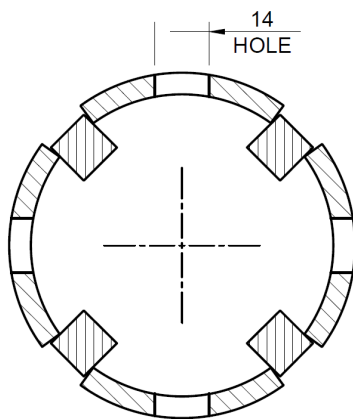
* Load capacity is determined in soil type, semi-solid loam; RADIX Ground Screws must be selected based on static calculations and results of site specific ground test. The manufacturer is not liable for damage caused by insufficient or incorrect selection of ground screws

Technical Data Sheet

RDX EXT V3 89x2000-T5.6 EXTENSION



Load Capacity	N/A *
Overall Length	2000 mm
Weight	24.0 kg ($\pm 8\%$)
Materials	<p>Tube (Main)</p> <ul style="list-style-type: none">• 89 x 5.6 x 2000 mm• Grade S235 <p>Tube (Connector)</p> <ul style="list-style-type: none">• 76 x 6.0 x 200 mm• Grade S235• 4 No. M12x25 Bolt
Surface	Hot-dip galvanised Steel, according to DIN EN ISO 1461



Subject to technical change

* Load capacity is determined in soil type, semi-solid loam; RADIX Ground Screws must be selected based on static calculations and results of site specific ground test. The manufacturer is not liable for damage caused by insufficient or incorrect selection of ground screws