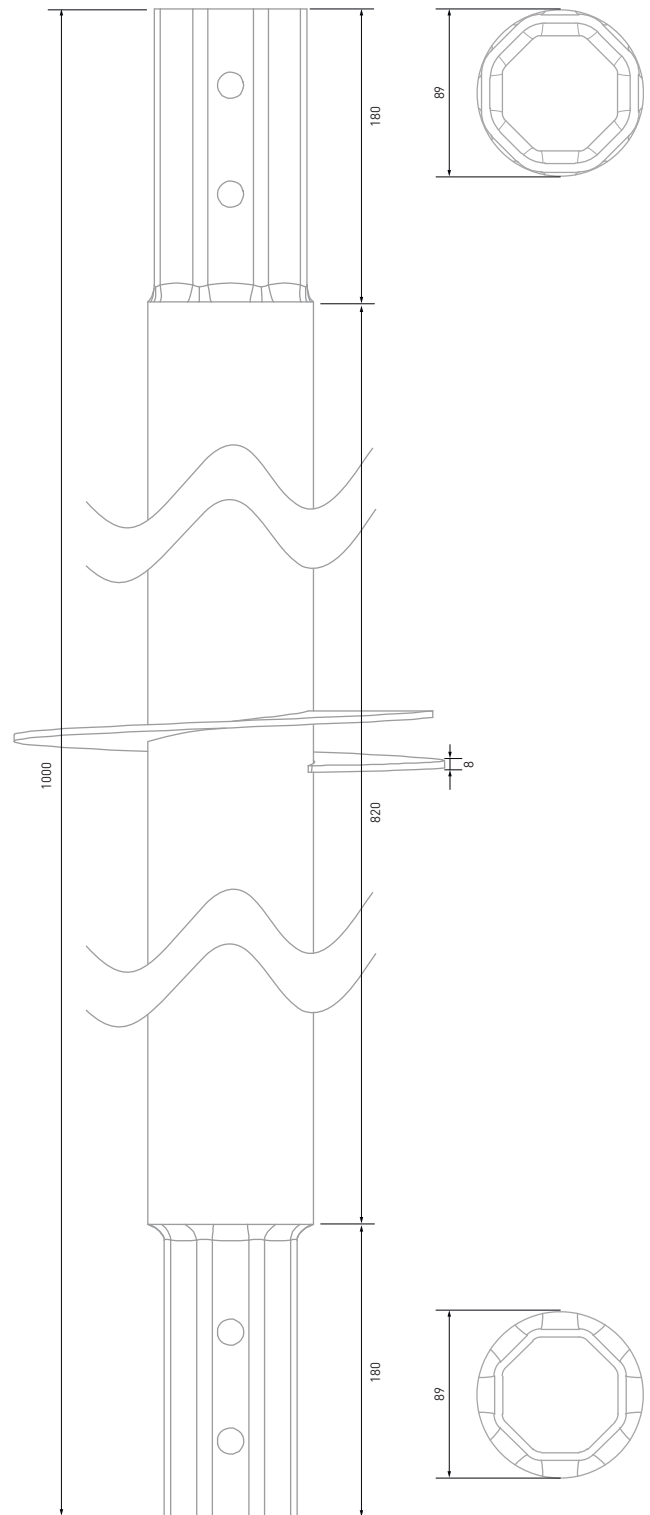
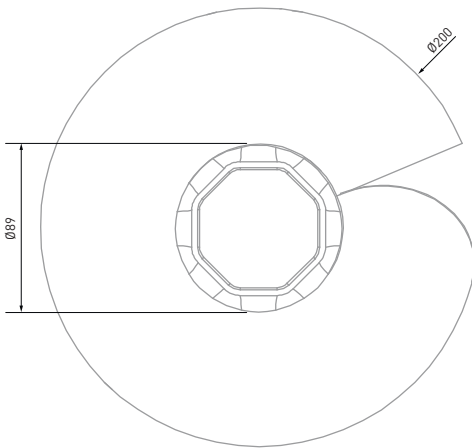


RDX EXT 89x1000-T4.5 HELICAL EXTENSION



Load Capacity	N/A*
Overall Length	1000 mm Net: 820 mm
Weight	12 kg (±8%)
Materials	<p>Tube</p> <ul style="list-style-type: none"> • 89 x 4.5 x 1000 mm • Grade S235 <p>Helix</p> <ul style="list-style-type: none"> • 200 mm Diameter • 8 mm Thick
Coupling	2 no. M20x100 Bolts/Nuts
Surface	Hot-dip Galvanised Steel, according to BS EN ISO 1461:2009



Subject to technical change.

* RADIX Screw Piles must be selected based on static calculations and results of site-specific ground testing. The manufacturer is not liable for damage caused by insufficient or incorrect selection of screw piles.