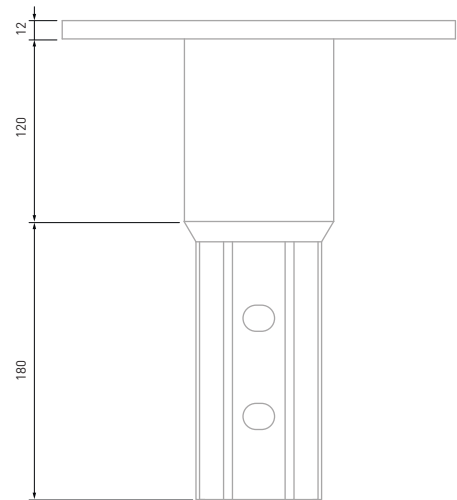
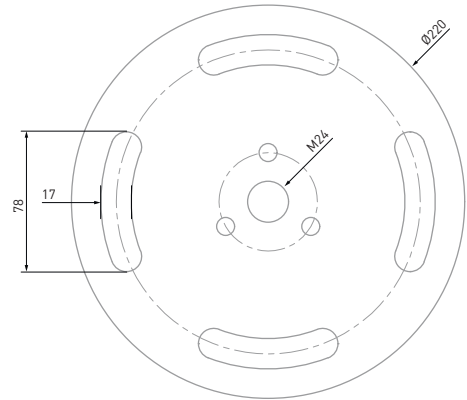


RDX EXT 89 RF220 M24 FLANGE



Load Capacity	200kN*
Overall Length	312 mm
Weight	6.5 kg (±8%)
Materials	<p>Tube</p> <ul style="list-style-type: none"> • 89 x 4.5 x 300 mm • Grade S235 <p>Flange</p> <ul style="list-style-type: none"> • 220 mm Diameter • 12 mm Thick • Grade S275
Anchor	M24 Captive Nut
Coupling	2 no. M20x100 Bolts/Nuts
Surface	Hot-dip Galvanised Steel, according to BS EN ISO 1461:2009



Subject to technical change.

* RADIX Screw Piles must be selected based on static calculations and results of site-specific ground testing. The manufacturer is not liable for damage caused by insufficient or incorrect selection of screw piles.