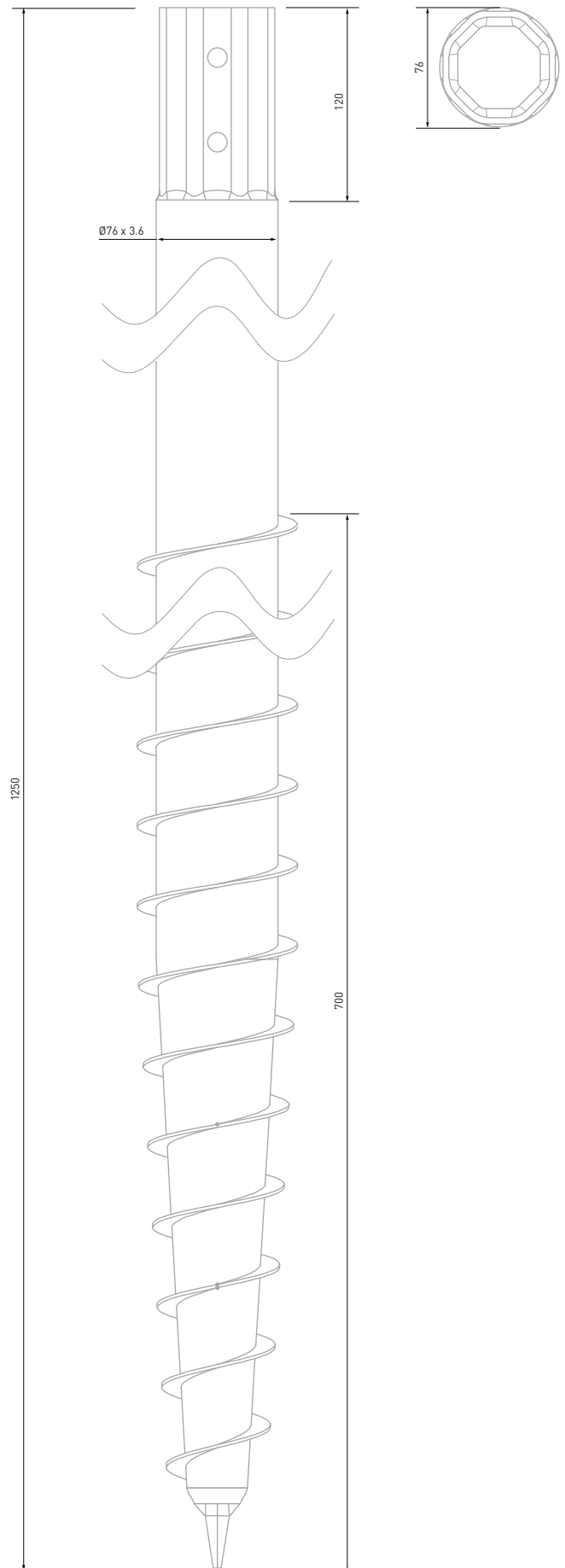


RDX EXT 76x1250-T3.6 SCREW



Load Capacity	N/A*
Overall Length	1250 mm
Weight	8.8 kg (±8%)
Materials	Tube • 76 x 3.6 x 1250 mm • Continuous Weld Helix • Grade S235
Coupling	2 no. M12x90 Bolts/Nuts
Surface	Hot-dip Galvanised Steel, according to BS EN ISO 1461:2009



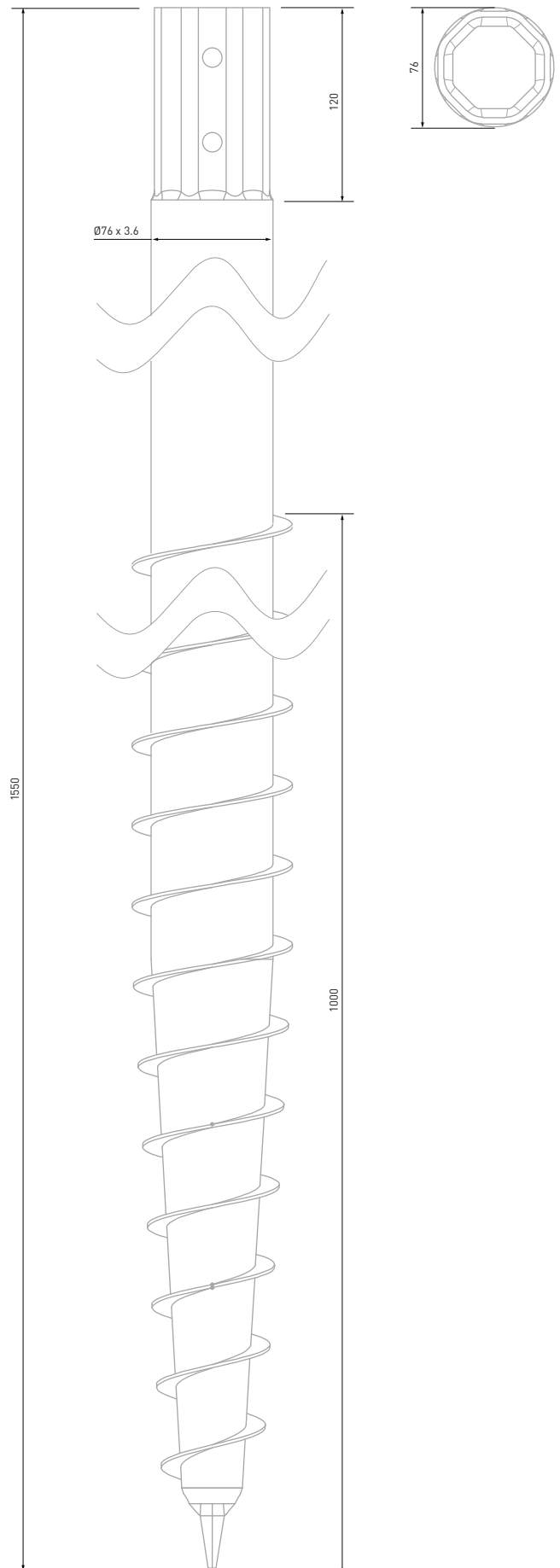
Subject to technical change.

* RADIX Screw Piles must be selected based on static calculations and results of site-specific ground testing. The manufacturer is not liable for damage caused by insufficient or incorrect selection of screw piles.

RDX EXT 76x1550-T3.6 SCREW



Load Capacity	N/A*
Overall Length	1550 mm
Weight	10.9 kg (±8%)
Materials	<p>Tube</p> <ul style="list-style-type: none"> • 76 x 3.6 x 1550 mm • Continuous Weld Helix • Grade S235
Coupling	2 no. M12x90 Bolts/Nuts
Surface	Hot-dip Galvanised Steel, according to BS EN ISO 1461:2009



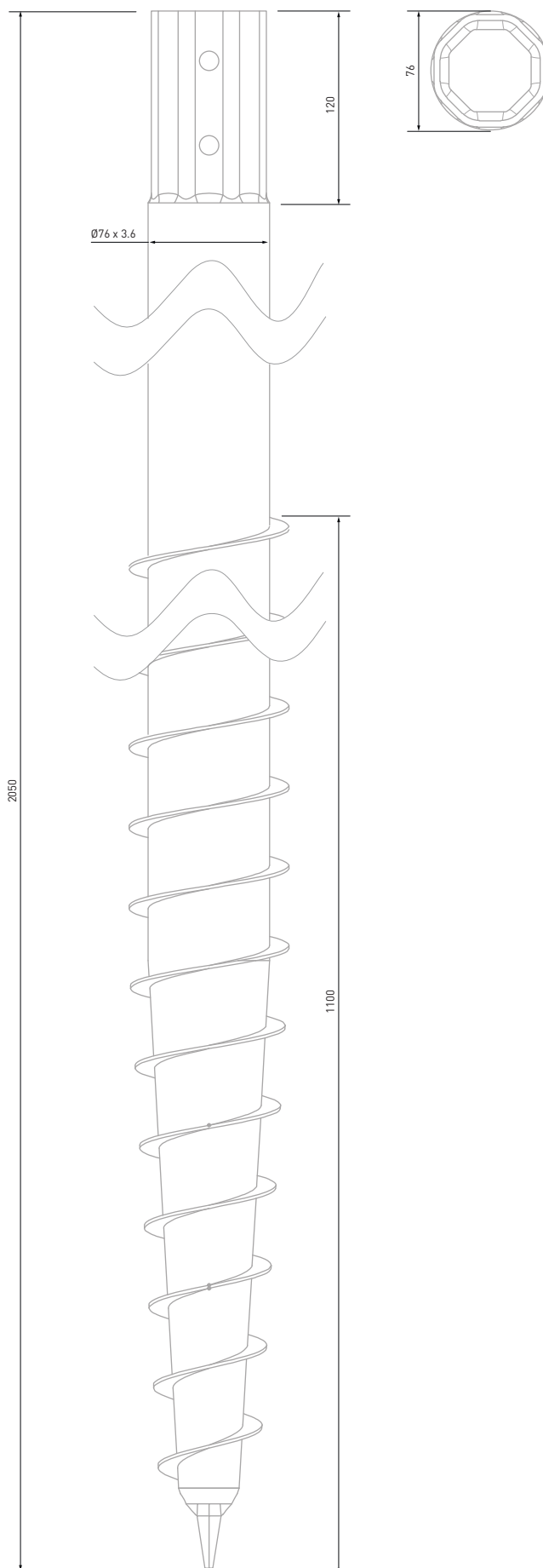
Subject to technical change.

* RADIX Screw Piles must be selected based on static calculations and results of site-specific ground testing. The manufacturer is not liable for damage caused by insufficient or incorrect selection of screw piles.

RDX EXT 76x2050-T3.6 SCREW



Load Capacity	N/A*
Overall Length	2050 mm
Weight	14.5 kg (±8%)
Materials	<p>Tube</p> <ul style="list-style-type: none"> • 76 x 3.6 x 2050 mm • Continuous Weld Helix • Grade S235
Coupling	2 no. M12x90 Bolts/Nuts
Surface	Hot-dip Galvanised Steel, according to BS EN ISO 1461:2009



Subject to technical change.

* RADIX Screw Piles must be selected based on static calculations and results of site-specific ground testing. The manufacturer is not liable for damage caused by insufficient or incorrect selection of screw piles.