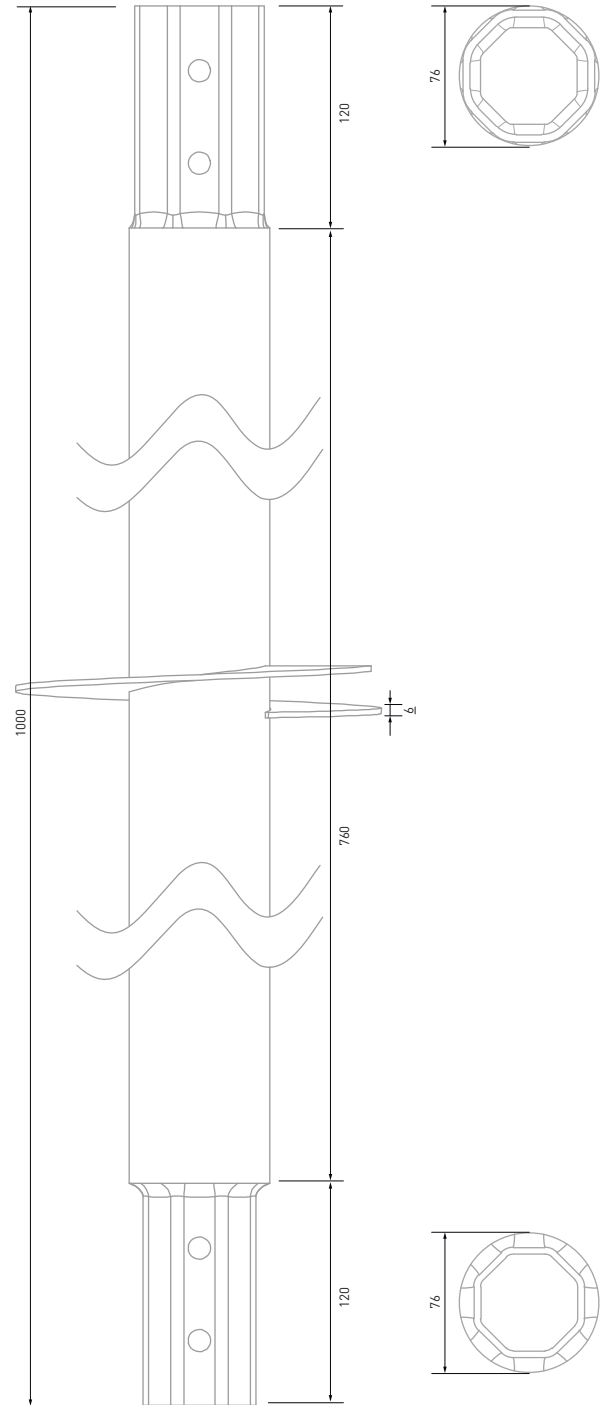
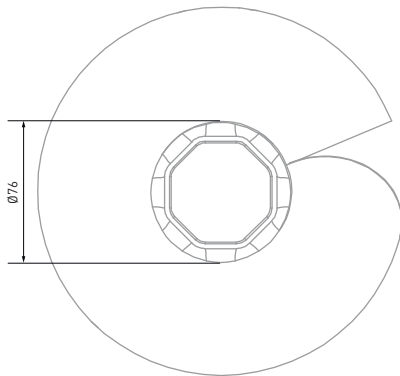


# RDX EXT 76x1000-T3.6 HELICAL EXTENSION



<b>Load Capacity</b>	N/A*
<b>Overall Length</b>	1000 mm Net: 880 mm
<b>Weight</b>	8.3 kg (±8%)
<b>Materials</b>	<p>Tube</p> <ul style="list-style-type: none"> <li>• 76 x 3.6 x 1000 mm</li> <li>• Grade S235</li> </ul> <p>Helix</p> <ul style="list-style-type: none"> <li>• 200 mm Diameter</li> <li>• 6 mm Thick</li> </ul>
<b>Coupling</b>	2 no. M12x90 Bolts/Nuts
<b>Surface</b>	Hot-dip Galvanised Steel, according to BS EN ISO 1461:2009



Subject to technical change.

\* RADIX Screw Piles must be selected based on static calculations and results of site-specific ground testing. The manufacturer is not liable for damage caused by insufficient or incorrect selection of screw piles.