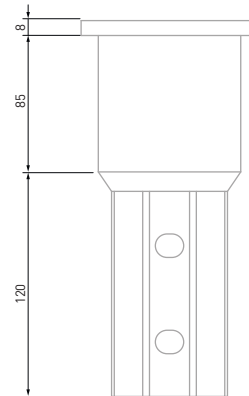
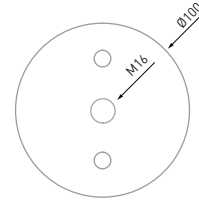


RDX EXT 76 RF100 M16 FLANGE



Load Capacity	110kN*
Overall Length	213 mm
Weight	2.2 kg (±8%)
Materials	<p>Tube</p> <ul style="list-style-type: none"> • 76 x 3.6 x 205 mm • Grade S235 <p>Flange</p> <ul style="list-style-type: none"> • 100 mm Diameter • 8 mm Thick • Grade S275
Anchor	M16 Captive Nut
Coupling	2 no. M12x90 Bolts/Nuts
Surface	Hot-dip Galvanised Steel, according to BS EN ISO 1461:2009



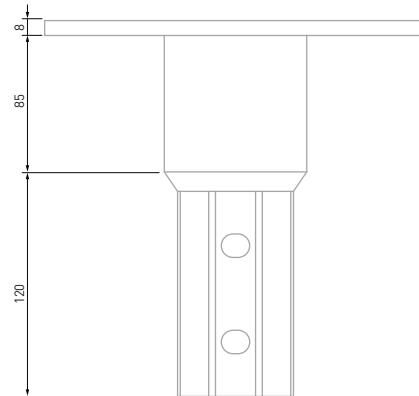
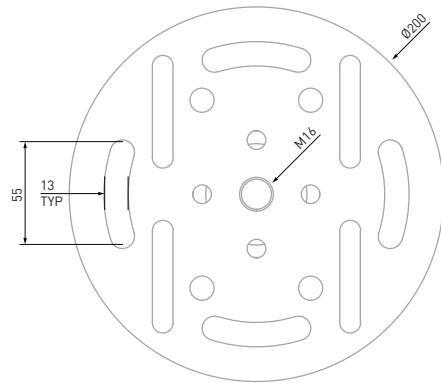
Subject to technical change.

* RADIX Screw Piles must be selected based on static calculations and results of site-specific ground testing. The manufacturer is not liable for damage caused by insufficient or incorrect selection of screw piles.

RDX EXT 76 RF200 M16 FLANGE



Load Capacity	110kN*
Overall Length	213 mm
Weight	2.9 kg (±8%)
Materials	<p>Tube</p> <ul style="list-style-type: none"> • 76 x 3.6 x 205 mm • Grade S235 <p>Flange</p> <ul style="list-style-type: none"> • 200 mm Diameter • 8 mm Thick • Grade S275
Anchor	M16 Captive Nut
Coupling	2 no. M12x90 Bolts/Nuts
Surface	Hot-dip Galvanised Steel, according to BS EN ISO 1461:2009



Subject to technical change.

* RADIX Screw Piles must be selected based on static calculations and results of site-specific ground testing. The manufacturer is not liable for damage caused by insufficient or incorrect selection of screw piles.