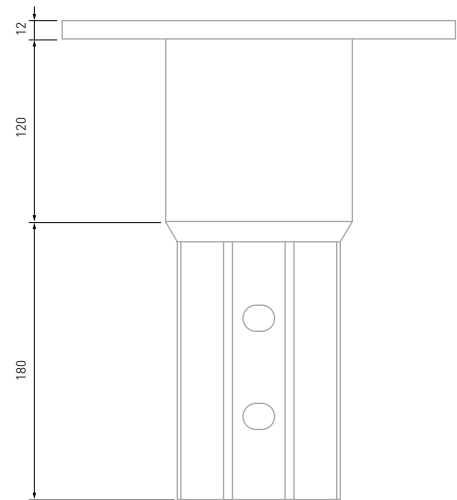
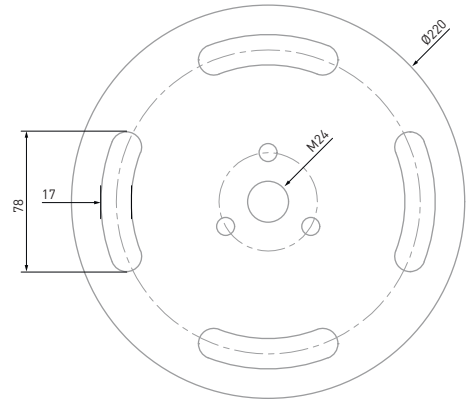


RDX EXT 114 RF220 M24 FLANGE



Load Capacity	200kN*
Overall Length	312 mm
Weight	7 kg (±8%)
Materials	<p>Tube</p> <ul style="list-style-type: none"> • 114 x 5.0 x 300 mm • Grade S235 <p>Flange</p> <ul style="list-style-type: none"> • 220 mm Diameter • 12 mm Thick • Grade S275
Anchor	M24 Captive Nut
Coupling	2 no. M24x130 Bolts/Nuts
Surface	Hot-dip Galvanised Steel, according to BS EN ISO 1461:2009



Subject to technical change.

* RADIX Screw Piles must be selected based on static calculations and results of site-specific ground testing. The manufacturer is not liable for damage caused by insufficient or incorrect selection of screw piles.