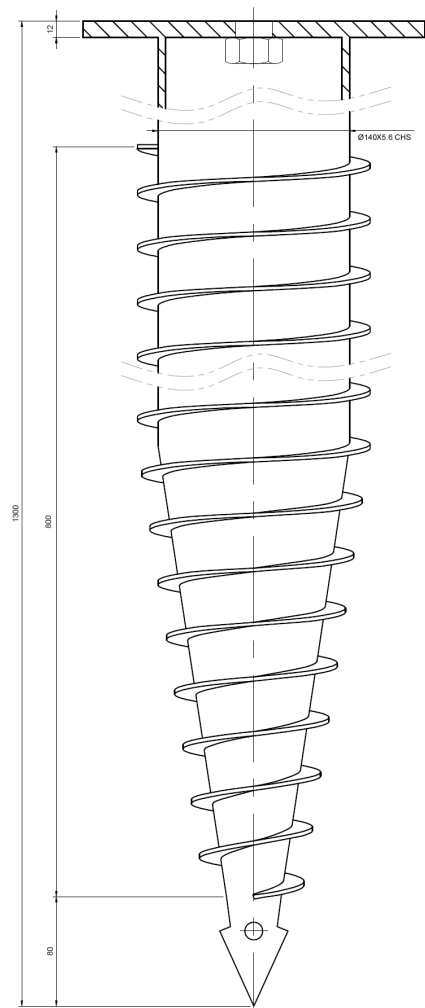
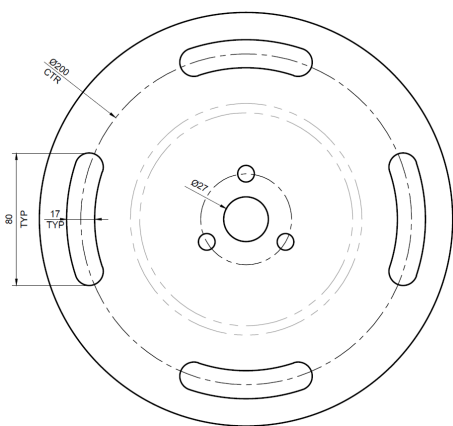


Technical Data Sheet

RDX ADV RF250 M24 140x1300-T5.6



Load Capacity	40 kN *
Overall Length	1300 mm
Weight	32.3 kg ($\pm 8\%$)
Materials	<p>Tube</p> <ul style="list-style-type: none"> • 140 x 5.6 x 1288 mm • Continuous Weld Helix • Grade S235 <p>Flange</p> <ul style="list-style-type: none"> • 250 mm Diameter • 12 mm Thick • Grade S275 <p>Helix</p> <ul style="list-style-type: none"> • 15 mm Depth • 40 mm \pm 2 pitch
Anchor	M24 Captive Nut
Surface	Hot-dip galvanised Steel, according to DIN EN ISO 1461



Subject to technical change

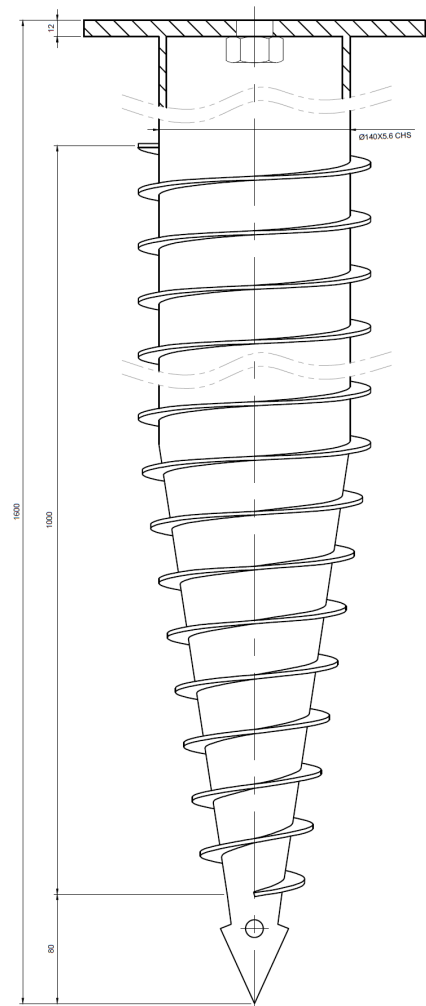
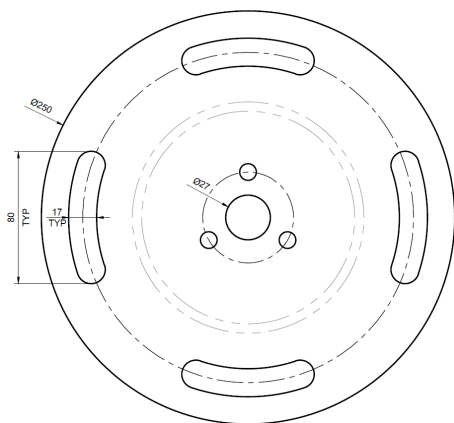
* Load capacity is determined in soil type, semi-solid loam; RADIX Ground Screws must be selected based on static calculations and results of site specific ground test. The manufacturer is not liable for damage caused by insufficient or incorrect selection of ground screws

Technical Data Sheet

RDX ADV RF250 M24 140x1600-T5.6



Load Capacity	54 kN *
Overall Length	1600 mm
Weight	38.9 kg ($\pm 8\%$)
Materials	<p>Tube</p> <ul style="list-style-type: none">• 140 x 5.6 x 1588 mm• Continuous Weld Helix• Grade S235 <p>Flange</p> <ul style="list-style-type: none">• 250 mm Diameter• 12 mm Thick• Grade S275 <p>Helix</p> <ul style="list-style-type: none">• 15 mm Depth• 40 mm \pm 2 pitch
Anchor	M24 Captive Nut
Surface	Hot-dip galvanised Steel, according to DIN EN ISO 1461



Subject to technical change

* Load capacity is determined in soil type, semi-solid loam; RADIX Ground Screws must be selected based on static calculations and results of site specific ground test. The manufacturer is not liable for damage caused by insufficient or incorrect selection of ground screws

Technical Data Sheet

RDX ADV RF250 M24 140x2100-T5.6



Load Capacity 72.5 kN *

Overall Length 2100 mm

Weight 49.9 kg ($\pm 8\%$)

Materials

Tube

- 140 x 5.6 x 2088 mm
- Continuous Weld Helix
- Grade S235

Flange

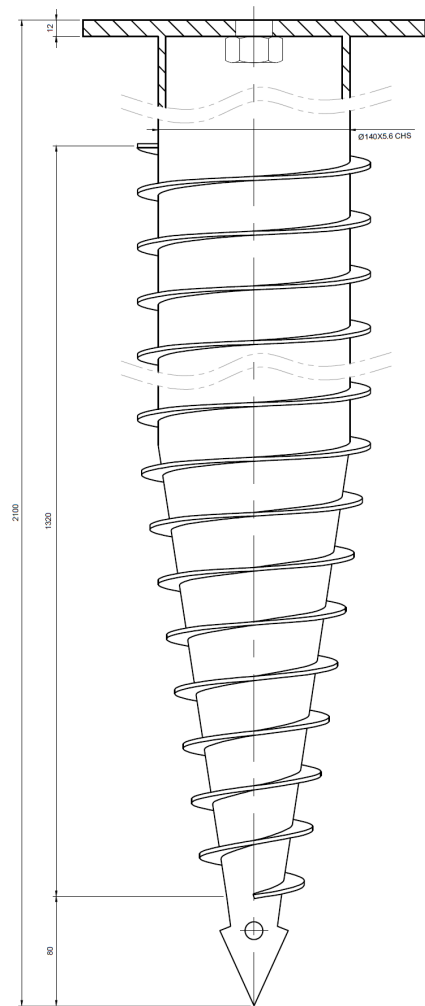
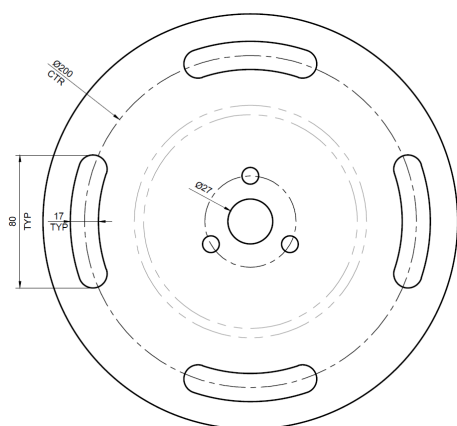
- 250 mm Diameter
- 12 mm Thick
- Grade S275

Helix

- 15 mm Depth
- 40 mm \pm 2 pitch

Anchor M24 Captive Nut

Surface Hot-dip galvanised Steel, according to DIN EN ISO 1461



Subject to technical change

* Load capacity is determined in soil type, semi-solid loam; RADIX Ground Screws must be selected based on static calculations and results of site specific ground test. The manufacturer is not liable for damage caused by insufficient or incorrect selection of ground screws