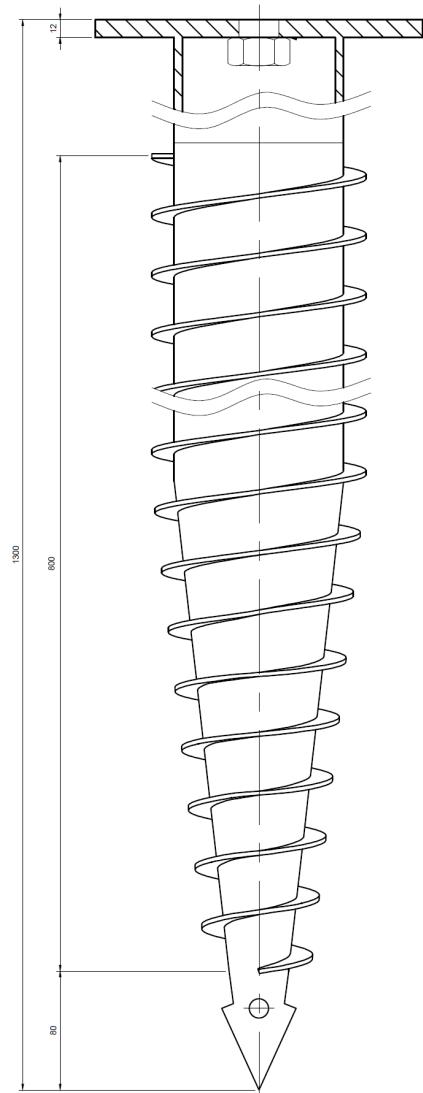
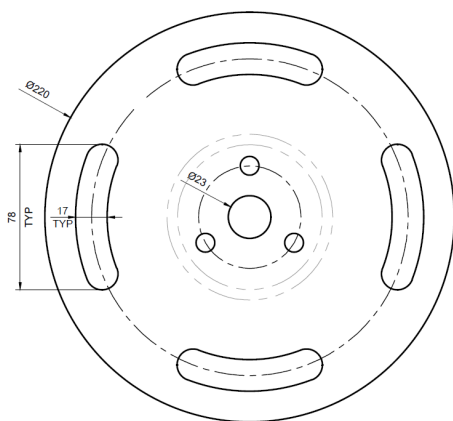


# Technical Data Sheet

## RDX ADV RF220 M24 114x1300-T5.6



<b>Load Capacity</b>	35 kN *
<b>Overall Length</b>	1300 mm
<b>Weight</b>	25.4 kg ( $\pm 8\%$ )
<b>Materials</b>	<p>Tube</p> <ul style="list-style-type: none"><li>• 114 x 5.6 x 1288 mm</li><li>• Continuous Weld Helix</li><li>• Grade S235</li></ul> <p>Flange</p> <ul style="list-style-type: none"><li>• 220 mm Diameter</li><li>• 12 mm Thick</li><li>• Grade S275</li></ul> <p>Helix</p> <ul style="list-style-type: none"><li>• 15 mm Depth</li><li>• 40 mm <math>\pm</math> 2 pitch</li></ul>
<b>Anchor</b>	M24 Captive Nut
<b>Surface</b>	Hot-dip galvanised Steel, according to DIN EN ISO 1461



Subject to technical change

\* Load capacity is determined in soil type, semi-solid loam; RADIX Ground Screws must be selected based on static calculations and results of site specific ground test. The manufacturer is not liable for damage caused by insufficient or incorrect selection of ground screws

# Technical Data Sheet

## RDX ADV RF220 M24 114x1600-T5.6



**Load Capacity** 47.5 kN \*

**Overall Length** 1600 mm

**Weight** 30.7 kg ( $\pm 8\%$ )

**Materials**

**Tube**

- 114 x 5.6 x 1588 mm
- Continuous Weld Helix
- Grade S235

**Flange**

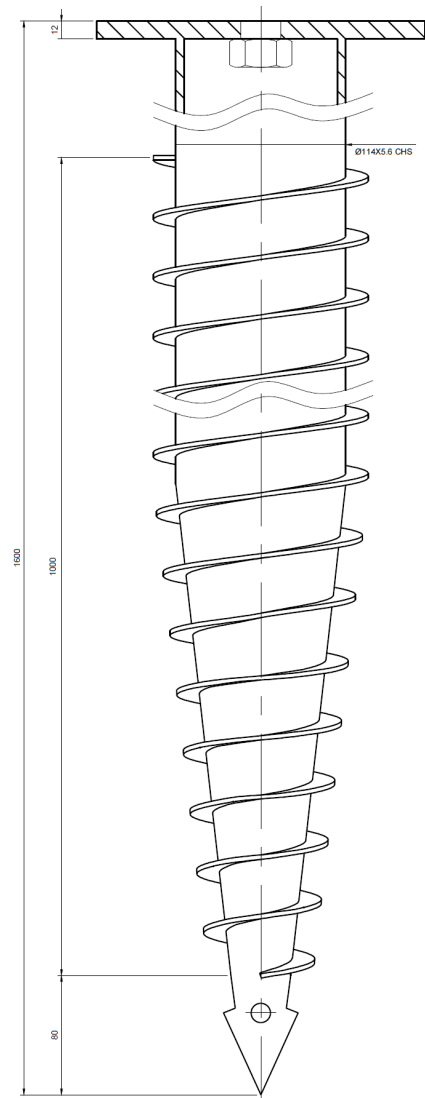
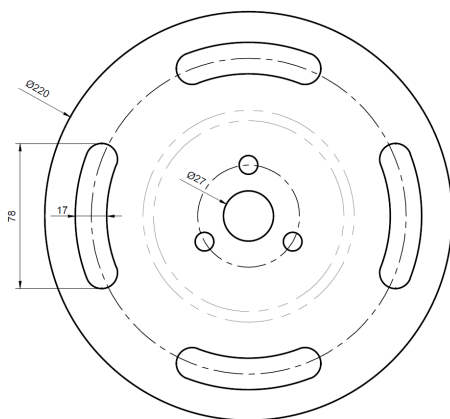
- 220 mm Diameter
- 12 mm Thick
- Grade S275

**Helix**

- 15 mm Depth
- 40 mm  $\pm 2$  pitch

**Anchor** M24 Captive Nut

**Surface** Hot-dip galvanised Steel, according to DIN EN ISO 1461



Subject to technical change

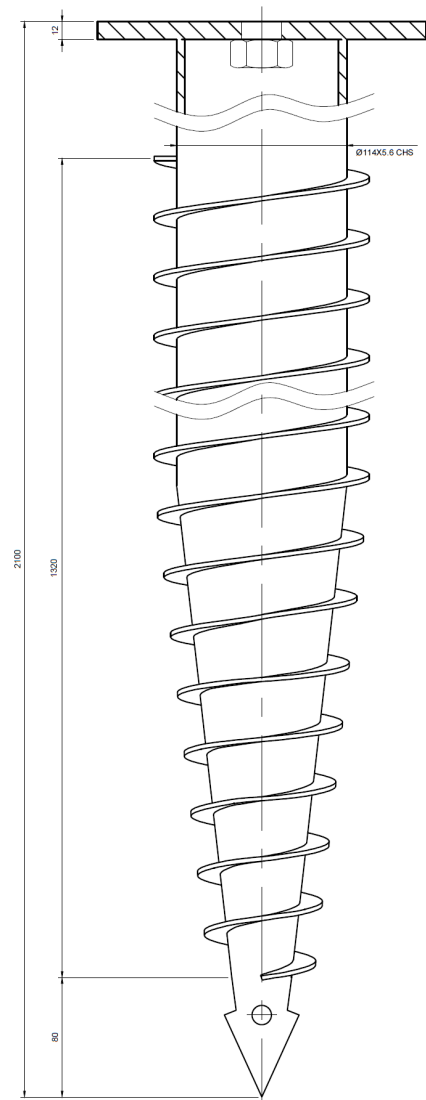
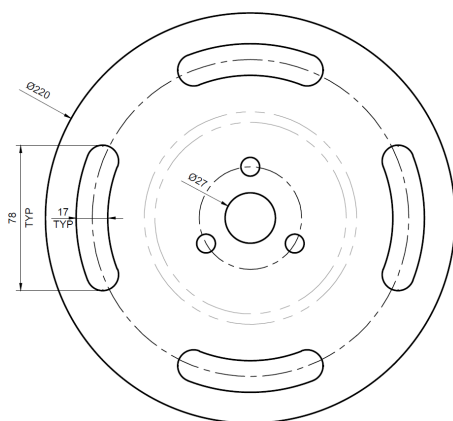
\* Load capacity is determined in soil type, semi-solid loam; RADIX Ground Screws must be selected based on static calculations and results of site specific ground test. The manufacturer is not liable for damage caused by insufficient or incorrect selection of ground screws

# Technical Data Sheet

## RDX ADV RF220 M24 114x2100-T5.6



<b>Load Capacity</b>	66 kN *
<b>Overall Length</b>	2100 mm
<b>Weight</b>	39.7 kg ( $\pm 8\%$ )
<b>Materials</b>	<p>Tube</p> <ul style="list-style-type: none"> <li>• 114 x 5.6 x 2088 mm</li> <li>• Continuous Weld Helix</li> <li>• Grade S235</li> </ul> <p>Flange</p> <ul style="list-style-type: none"> <li>• 220 mm Diameter</li> <li>• 12 mm Thick</li> <li>• Grade S275</li> </ul> <p>Helix</p> <ul style="list-style-type: none"> <li>• 15 mm Depth</li> <li>• 40 mm <math>\pm 2</math> pitch</li> </ul>
<b>Anchor</b>	M24 Captive Nut
<b>Surface</b>	Hot-dip galvanised Steel, according to DIN EN ISO 1461



Subject to technical change

\* Load capacity is determined in soil type, semi-solid loam; RADIX Ground Screws must be selected based on static calculations and results of site specific ground test. The manufacturer is not liable for damage caused by insufficient or incorrect selection of ground screws